

PART NUMBER

KCC177209

REV.

DATE

COMMENTS

INITIAL

A

4/3/19

Updated Overall Length

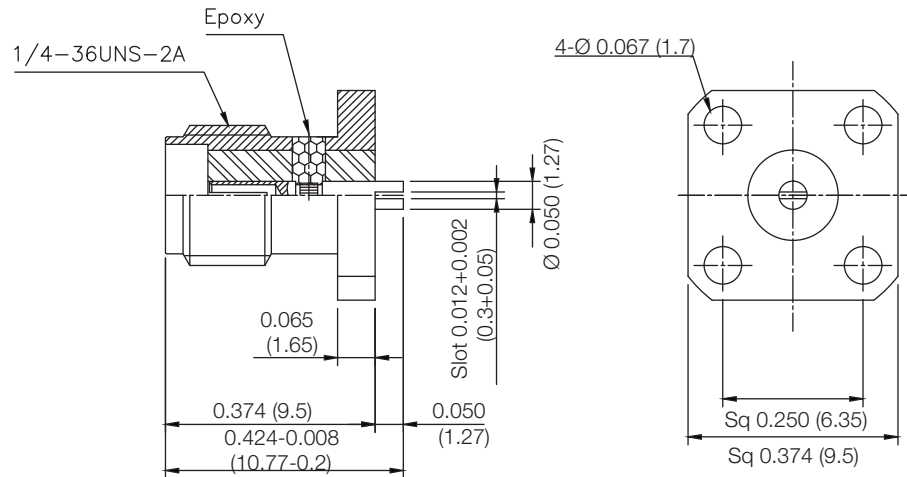
*MS***Electrical Data**

Impedance 50 Ω
 Frequency Range DC - 18 GHz.
 VSWR 1.15 + .02f(GHz) Max

RoHS Compliant

Mechanical Data

Temperature Range: -65 °C - 125 °C
 Center Contact Retention
 Torque 120g-f Min
 Withdrawal 2.5kg-f Min



Drawing not to scale. Dimensions for reference only

Units: inches (mm)

Konnect RF

WWW.KONNECTRF.COM
 1-800-790-5887

PART NUMBER

KCC177209

DESCRIPTION

SMA Straight Female Jack Receptacle, 4 Hole Flange Mount, Slot Terminal, Epoxy Captivation

CAGE CODE

664U0

SIGNATURE

X

THIS DRAWING INCLUDING THE
 DESIGNS IS THE PROPERTY OF
 KONNECT RF AND IS NOT TO
 BE USED FOR ANY PURPOSE
 WITHOUT OUR APPROVAL.

Component

Body
 Center Contact
 Insulator

Material

Stainless Steel
 BeCu
 PTFE

Plating/Finish

Passivated
 Gold