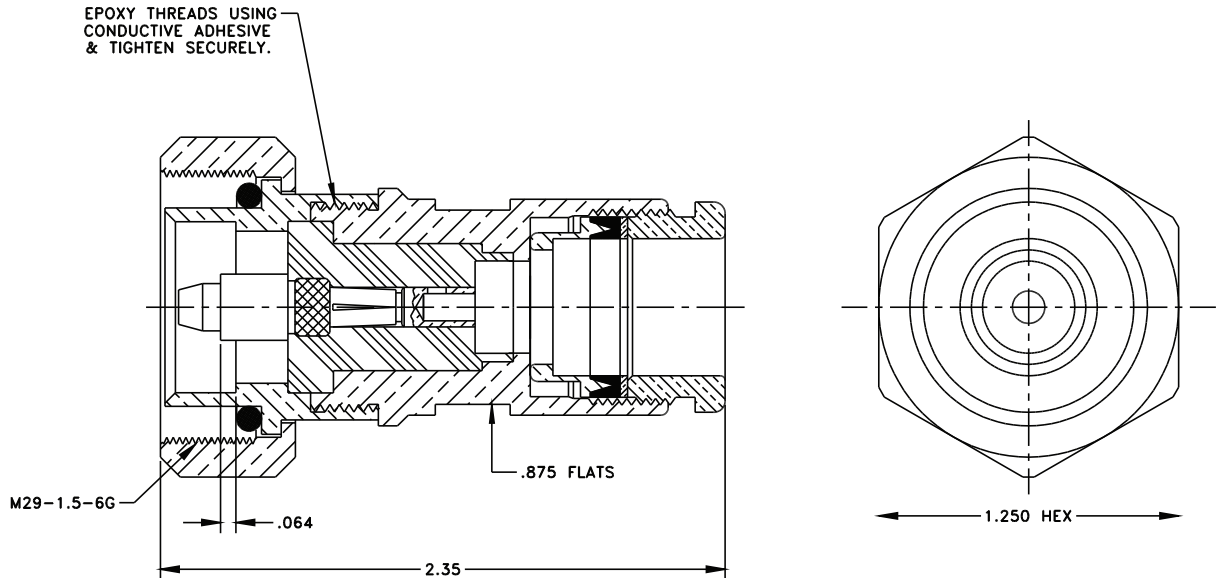


PART NUMBER

KCC177202

REV.

INITIAL

Electrical DataImpedance 50 Ω **RoHS Compliant**

VSWR and Frequency Range Specifications are for reference and are dependant on cable type and other application specific conditions

Drawing not to scale. Dimensions for reference only

Units: inches

WWW.KONNECTRF.COM
1-800-790-5887

PART NUMBER

KCC177202DESCRIPTION **7/16 DIN Straight Male Plug, Clamp**

CAGE CODE

664U0

SIGNATURE

X

Cable Types: RG-14, 217

Component
Body
Center Contact
Insulator

Material
Brass
Brass
PTFE

Plating
Nickel
Silver

THIS DRAWING INCLUDING THE DESIGNS IS THE PROPERTY OF KONNECT RF AND IS NOT TO BE USED FOR ANY PURPOSE WITHOUT OUR APPROVAL.