

PART NUMBER

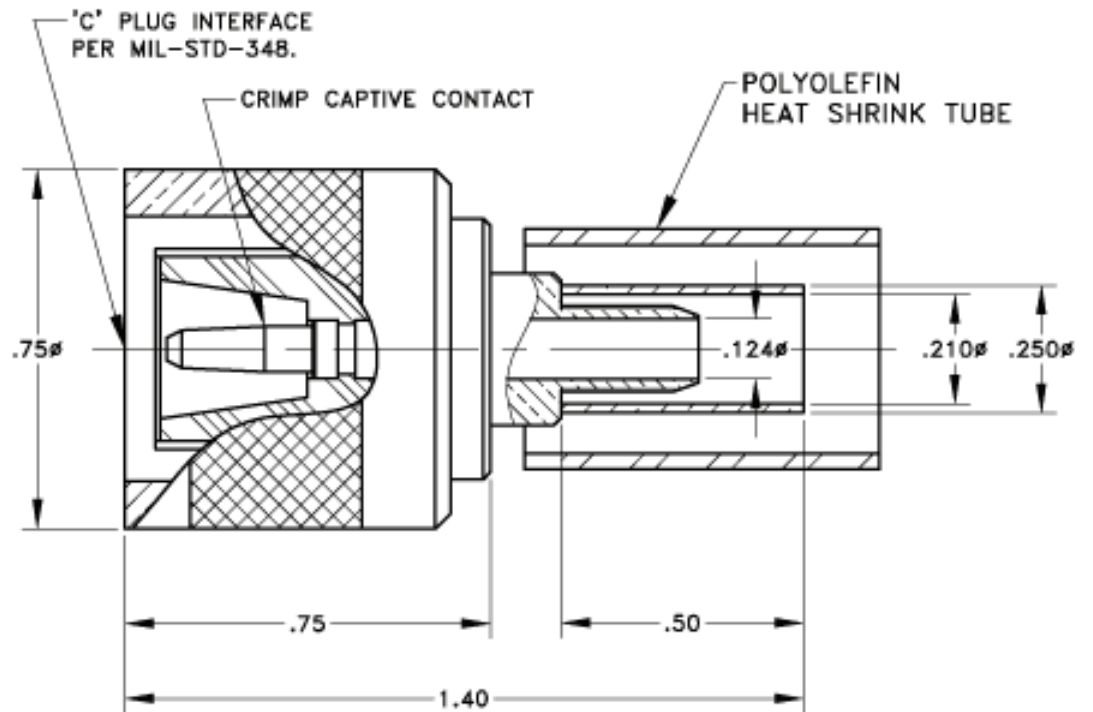
KCC177201

REV.

INITIAL

Electrical Data

Impedance	50 Ω
Frequency Range	DC - 11 GHz
Voltage Rating	1000 V rms
DWV	3000 V rms
Insulation Resistance	5000 Ω Min.
Operating Temperature Range	-65°C ~ + 165°C

RoHS Compliant

VSWR and Frequency Range Specifications are for reference and are dependant on cable type and other application specific conditions

Drawing not to scale. Dimensions for reference only

WWW.KONNECTRF.COM
540 NW University Blvd. Ste. 109
Port Saint Lucie, Florida, 34986
1-800-790-5887

PART NUMBER

KCC177201

DESCRIPTION

C Straight Male Plug Crimp

CAGE CODE

664U0

SIGNATURE

X

Cable Types RG 58, 141, 303
Materials

Body
Contact
Spring Washers
Gasket
Insulator

Brass
Brass
Be.Cu
Silicone Rubber
PTFE

Nickel Plated
Silver Plated
Nickel Plated

THIS DRAWING INCLUDING THE DESIGNS IS THE PROPERTY OF KONNECT RF AND IS NOT TO BE USED FOR ANY PURPOSE WITHOUT OUR APPROVAL.