

PART NUMBER

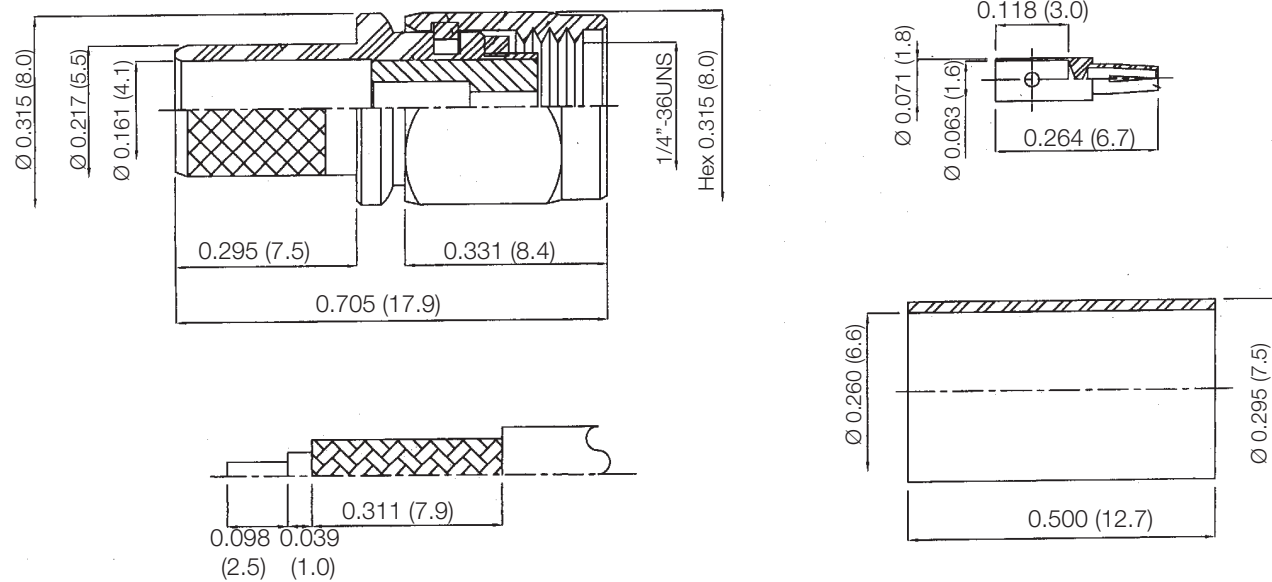
KCC177198

REV.

DATE

COMMENTS

INITIAL

Electrical DataImpedance 50 Ω **RoHS Compliant**

Drawing not to scale. Dimensions for reference only

Units: inches (mm)

Konnect RFWWW.KONNECTRF.COM
1-800-790-5887

PART NUMBER

KCC177198

DESCRIPTION

SMA Straight Male Plug Reverse Polarity, Crimp

CAGE CODE

664U0

SIGNATURE

X

THIS DRAWING INCLUDING THE DESIGNS IS THE PROPERTY OF KONNECT RF AND IS NOT TO BE USED FOR ANY PURPOSE WITHOUT OUR APPROVAL.

Cable Type: LMR-240**Component**

Body & Shell
Retaining Ring
Ferrule
Center Contact
Gasket
Insulator

Material

Brass
Brass
Brass
Brass
Silicone Rubber
PTFE

Plating

Nickel
Nickel
Nickel
Gold