

PART NUMBER

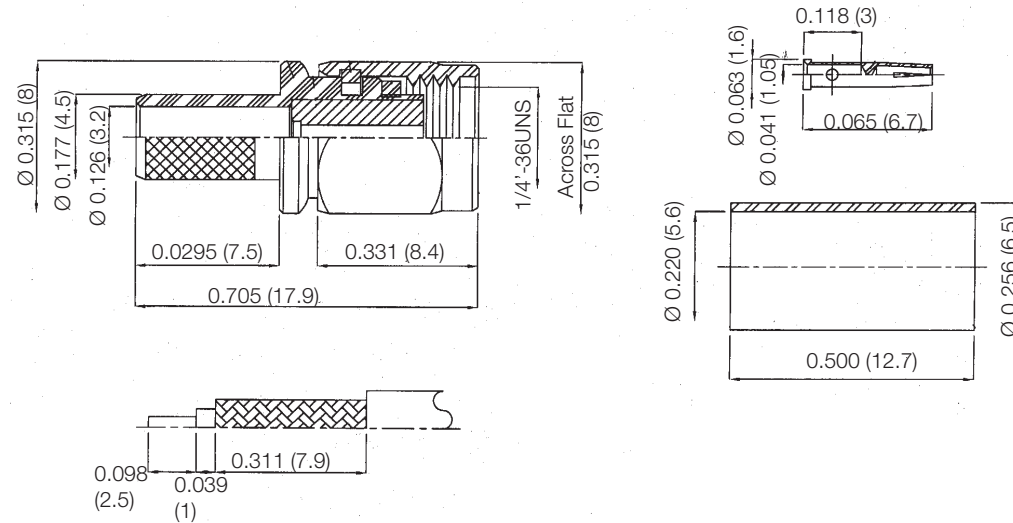
KCC177182

REV.

DATE

COMMENTS

INITIAL

Electrical DataImpedance 50 Ω **RoHS Compliant**

Drawing not to scale. Dimensions for reference only

Units: inches (mm)

Konnect RFWWW.KONNECTRF.COM
1-800-790-5887

PART NUMBER

KCC177182

DESCRIPTION

SMA Straight Male Plug Reverse Polarity, Crimp

CAGE CODE

664U0

SIGNATURE

X

THIS DRAWING INCLUDING THE DESIGNS IS THE PROPERTY OF KONNECT RF AND IS NOT TO BE USED FOR ANY PURPOSE WITHOUT OUR APPROVAL.

Cable Types: RG-58, LMR-195**Component****Material****Plating**

Body & Ferrule

Brass

Nickel

Retaining Ring

Brass

Nickel

Center Contact

Brass

Gold

Shell

Brass

Nickel

Gasket

Silicone Rubber

Insulator

PTFE