

PART NUMBER

KCC177179

REV.

DATE

COMMENTS

INITIAL

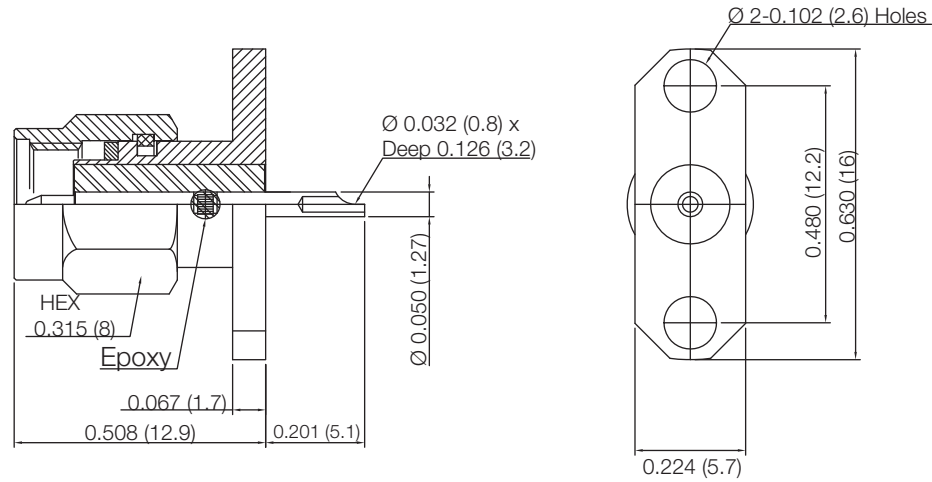
Electrical Data

Impedance	50 Ω
Frequency Range	DC - 18 GHz.
Voltage Rating	500 Max
Insulation Resistance	5,000 M Ω
Dielectric Withstanding Voltage	750 VRMS
VSWR	1.20 Max @ 12.4 GHz 1.30 Max @ 18.0 GHz

Mechanical Data

Temperature Range: -65 °C - 165 °C

* Interface Per MIL-STD-348

RoHS Compliant

Drawing not to scale. Dimensions for reference only

Units: inches (mm)

Konnect RF

WWW.KONNECTRF.COM
1-800-790-5887

PART NUMBER

KCC177179

DESCRIPTION

**SMA Straight Male Plug Receptacle, 2 Hole
Flange Mount, Solder Pot, Epoxy Captivated**

CAGE CODE

664U0

SIGNATURE

X

THIS DRAWING INCLUDING THE
DESIGNS IS THE PROPERTY OF
KONNECT RF AND IS NOT TO
BE USED FOR ANY PURPOSE
WITHOUT OUR APPROVAL.

Component

Body, Nut
Center Contact
Insulator

Material

Stainless Steel
Brass
PTFE

Plating/Finish

Passivated
Gold