

PART NUMBER

KCC177165

REV.

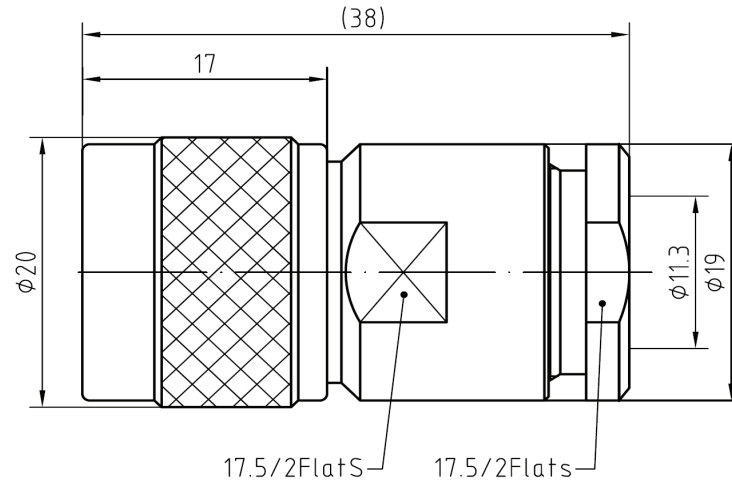
INITIAL

Electrical Data

Impedance 50 Ω
 Frequency Range DC - 8 GHz.
 VSWR ≤ 1.4 @ DC-8GHz
 Insertion Loss 0.5dB max @ DC-8GHz
 Insulation Resistance 5,000 M Ω
 Voltage Rating 1,400 VRMS

RoHS Compliant**Mechanical Data**

Durability 500 Cycles Min.
 Temperature Range: -55 °C - 155 °C



VSWR and Frequency Range Specifications are for reference and are dependant on cable type and other application specific conditions

Drawing not to scale. Dimensions for reference only

Units: mm

WWW.KONNECTRF.COM
 1-800-790-5887

PART NUMBER

KCC177165DESCRIPTION **N Straight Male Plug, Clamp**

CAGE CODE

664U0

SIGNATURE

X

Cable Types: RG214**Component**

Body, Clamp Nut
 Center Contact
 Insulator

Material

Brass
 Brass
 PTFE

Plating

White Bronze
 Gold

THIS DRAWING INCLUDING THE DESIGNS IS THE PROPERTY OF KONNECT RF AND IS NOT TO BE USED FOR ANY PURPOSE WITHOUT OUR APPROVAL.