

PART NUMBER

KCC177161

REV.

DATE

COMMENTS

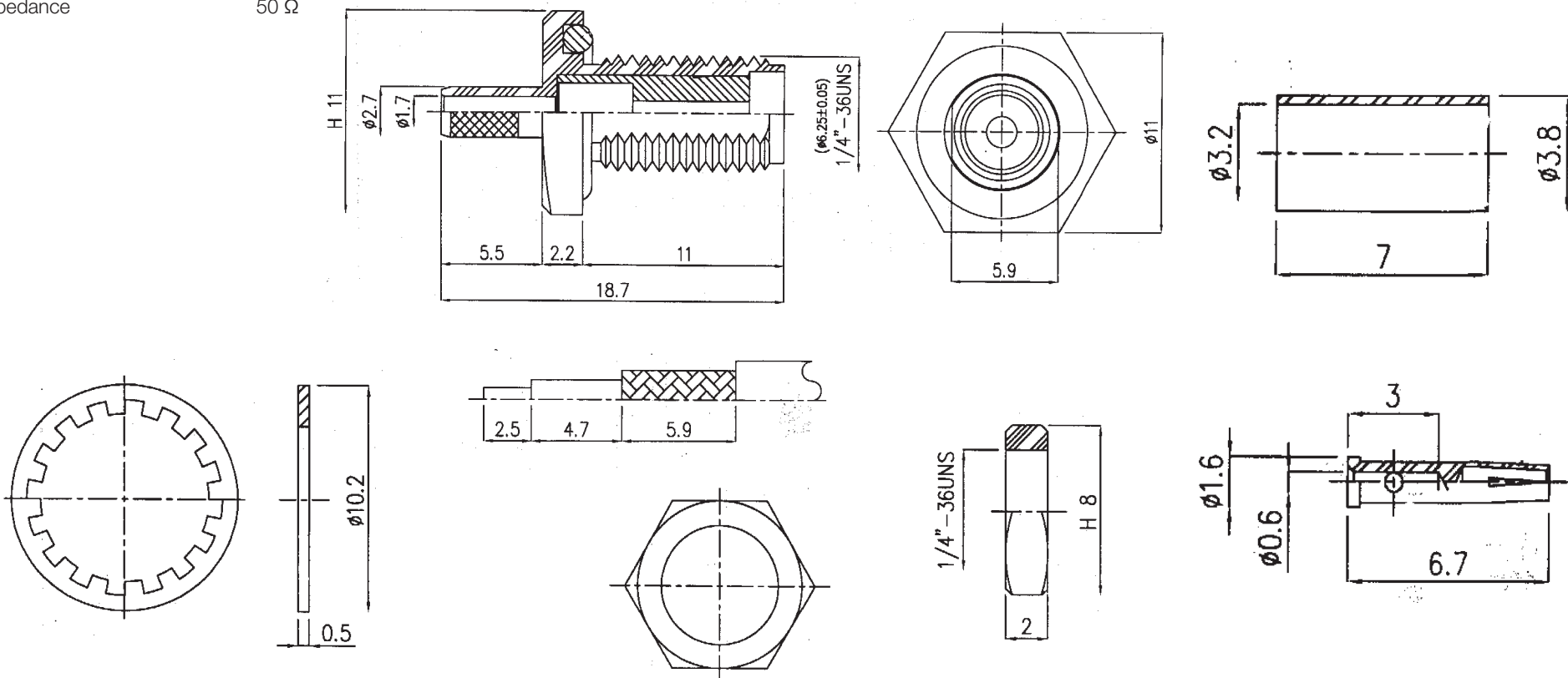
INITIAL

Electrical Data

Impedance

50 Ω

RoHS Compliant



Drawing not to scale. Dimensions for reference only

Units: mm

Konnect RF

WWW.KONNECTRF.COM
1-800-790-5887

PART NUMBER

KCC177161

DESCRIPTION

SMA Straight Female Jack, Bulkhead Rear Mount, Crimp, O-Ring Seal

CAGE CODE

664U0

SIGNATURE

X

Cable Types: RG-174 & 316

THIS DRAWING INCLUDING THE DESIGNS IS THE PROPERTY OF KONNECT RF AND IS NOT TO BE USED FOR ANY PURPOSE WITHOUT OUR APPROVAL.

Component

Body
Center Pin/ Ferrule
Lock Washer/ Nut
Dielectric
Waterproof Seal

Material

Brass
Brass
Brass
PTFE
Rubber

Plating

GOLD 3-5 μ "MIN
GOLD 3-5 μ "MIN
GOLD 3-5 μ "MIN