

PART NUMBER

KCC177159

REV.

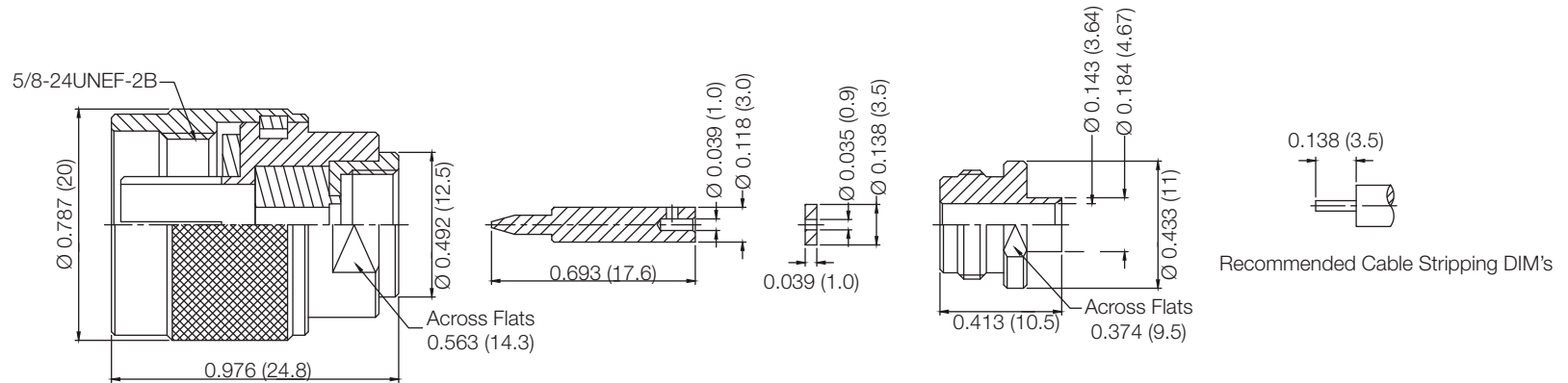
DATE

COMMENTS

INITIAL

Electrical Data**RoHS Compliant**

Impedance 50 Ω



Drawing not to scale. Dimensions for reference only

Units: inches (mm)

Konnect RFWWW.KONNECTRF.COM
1-800-790-5887

PART NUMBER

KCC177159

DESCRIPTION

N Straight Male Plug, Solder

CAGE CODE

664U0

SIGNATURE

X

THIS DRAWING INCLUDING THE
DESIGNS IS THE PROPERTY OF
KONNECT RF AND IS NOT TO
BE USED FOR ANY PURPOSE
WITHOUT OUR APPROVAL.**Cable Types:** .141 S/R (RG-402)**Component****Material****Plating (Micro-Inches)**

Body & Nut

Brass

Nickel 100 min Thick over
Copper 50 Min Thick

Center Contact

Brass

Gold 3 Min Thick over Nickel 50
Thick over Copper 50 Min Thick

Solder

Brass

Thin Gold over Nickel 50 Min. Thick
over Copper 50 Min Thick

Insulator

PTFE