

PART NUMBER

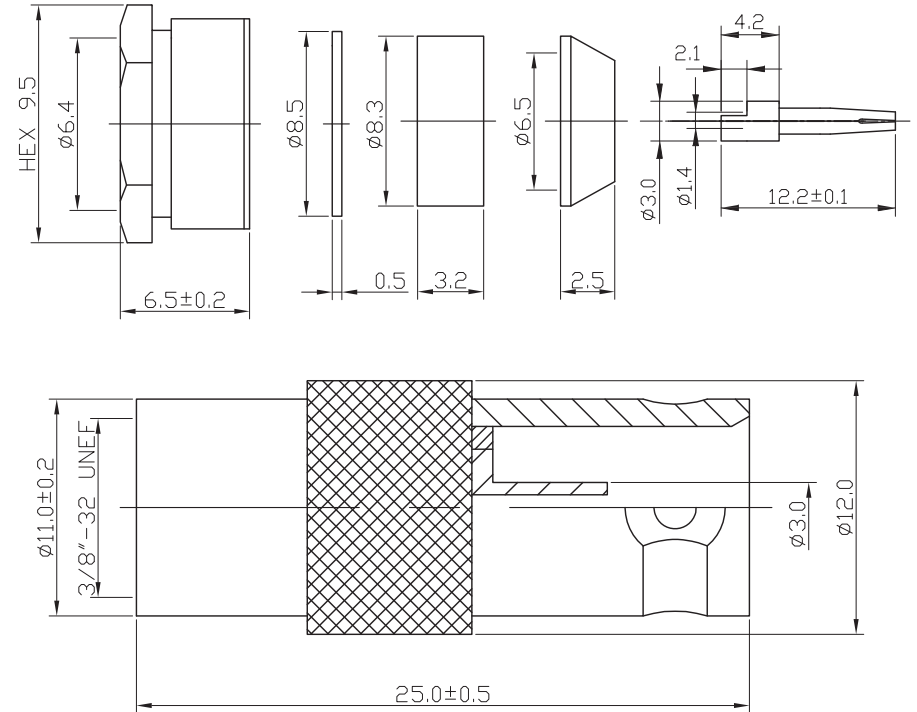
KCC177155

REV.

INITIAL

Electrical Data

Impedance

75 Ω **RoHS Compliant**

Drawing not to scale. Dimensions for reference only

Units: mm

Konnect RF

WWW.KONNECTRF.COM
1-800-790-5887

PART NUMBER

KCC177155

DESCRIPTION

BNC Straight Female Jack, Clamp

CAGE CODE

664U0

SIGNATURE

X

Cable Types: RG-59**Component**

Body
Braid Clamp
Contact
Washer
Clamp
Insulator

Material

Brass
Brass
Brass
Stainless Steel
Zinc
POM

Plating

Nickel
Nickel
Gold
Nickel
Nickel

THIS DRAWING INCLUDING THE
DESIGNS IS THE PROPERTY OF
KONNECT RF AND IS NOT TO
BE USED FOR ANY PURPOSE
WITHOUT OUR APPROVAL.