

PART NUMBER

KCC177151

REV.

DATE

COMMENTS

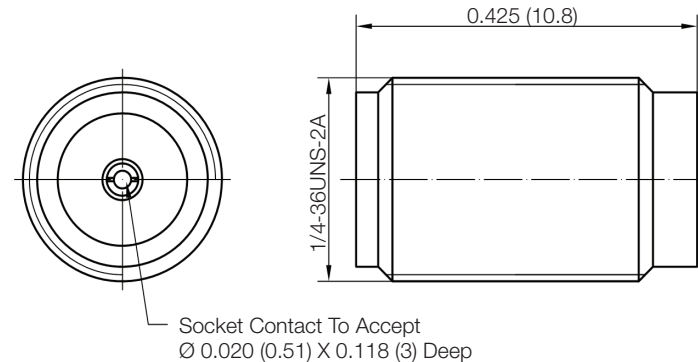
INITIAL

Electrical Data

Impedance 50 Ω
 Frequency Range DC - 18 GHz.
 Insertion Loss ≤ 0.25 dB Max. @ DC - 6 GHz
 Working Voltage 480 VRMS
 Test Voltage 1,000 VRMS
 Insulation Resistance $\geq 5,000$ M Ω
 VSWR ≤ 1.3 @ DC - 6 GHz

RoHS Compliant**Mechanical Data**

Durability 500 Cycles Min.
 Temperature Range: -55 °C - 155 °C



Drawing not to scale. Dimensions for reference only

Units: inches (mm)

Konnect RF

WWW.KONNECTRF.COM
 1-800-790-5887

PART NUMBER

KCC177151

DESCRIPTION

SMA Straight Female Jack Field Replaceable Receptacle, Thread-In

CAGE CODE

664U0

SIGNATURE

X

THIS DRAWING INCLUDING THE
 DESIGNS IS THE PROPERTY OF
 KONNECT RF AND IS NOT TO
 BE USED FOR ANY PURPOSE
 WITHOUT OUR APPROVAL.

Component

Body
 Center Contact
 Insulator

Material

Stainless Steel
 BeCu
 PTFE

Plating/Finish

Passivated
 Gold