

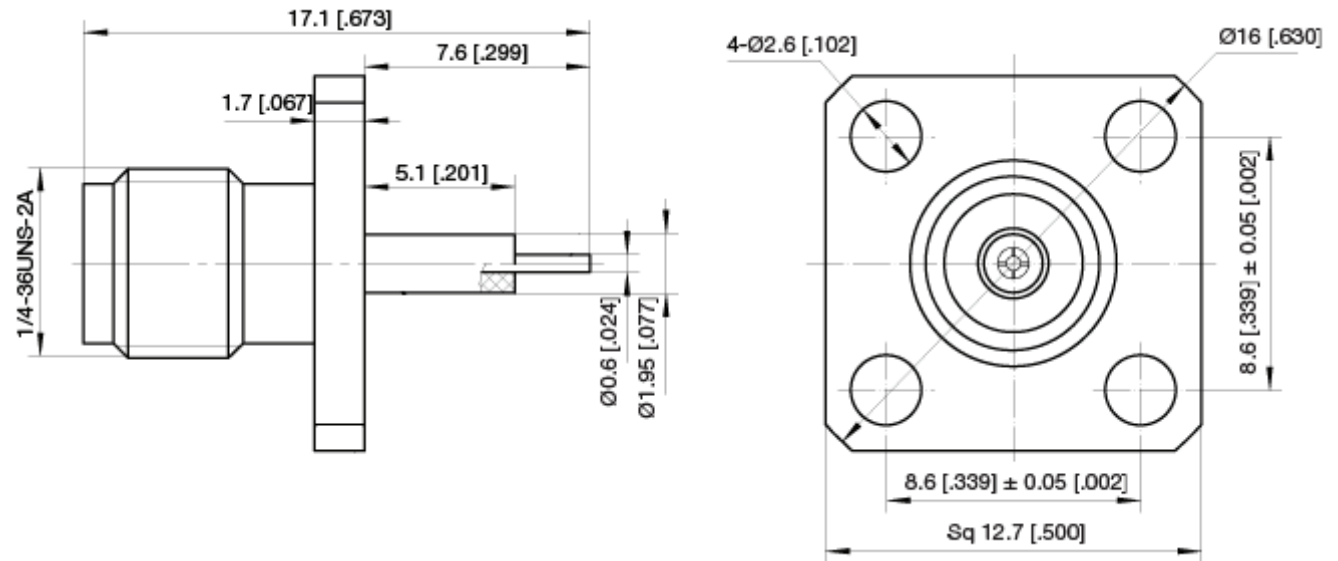
PART NUMBER

**KCC177136**REV. A  
B  
C2/20/12  
2/22/12  
2/23/12Material Change  
Added VSWR Spec  
Revised VSWR Spec

INITIAL

**Electrical Data**

Impedance	50 Ω
Frequency Range	DC - 40 GHz
Contact Resistance	
Center Conductor	≤4.0 MΩ
Out Conductor	≤2.5 MΩ
VSWR	1.3 Max
Insulation Resistance	≥1000 MΩ
Insulator Withstanding	500 V
Durability	500 Cycles

**RoHS Compliant**

VSWR and Frequency Range Specifications are for reference and are dependant on cable type and other application specific conditions

Drawing not to scale. Dimensions for reference only

WWW.KONNECTRF.COM  
540 NW University Blvd. Ste. 109  
Port Saint Lucie, Florida, 34986  
1-800-790-5887

PART NUMBER

**KCC177136**

DESCRIPTION

**2.92mm Straight Female Jack Receptacle -  
4 Hole Flange Mount - Blunt Post**

CAGE CODE

**664U0**

SIGNATURE

X

**Materials**

Body  
Center Contact  
Insulator

Stainless Steel  
Be.Cu  
PTFE

Passivated  
Gold Plated

THIS DRAWING INCLUDING THE DESIGNS IS THE PROPERTY OF KONNECT RF AND IS NOT TO BE USED FOR ANY PURPOSE WITHOUT OUR APPROVAL.