

PART NUMBER

KCC177127

REV.

DATE

COMMENTS

INITIAL

A

06/01/17

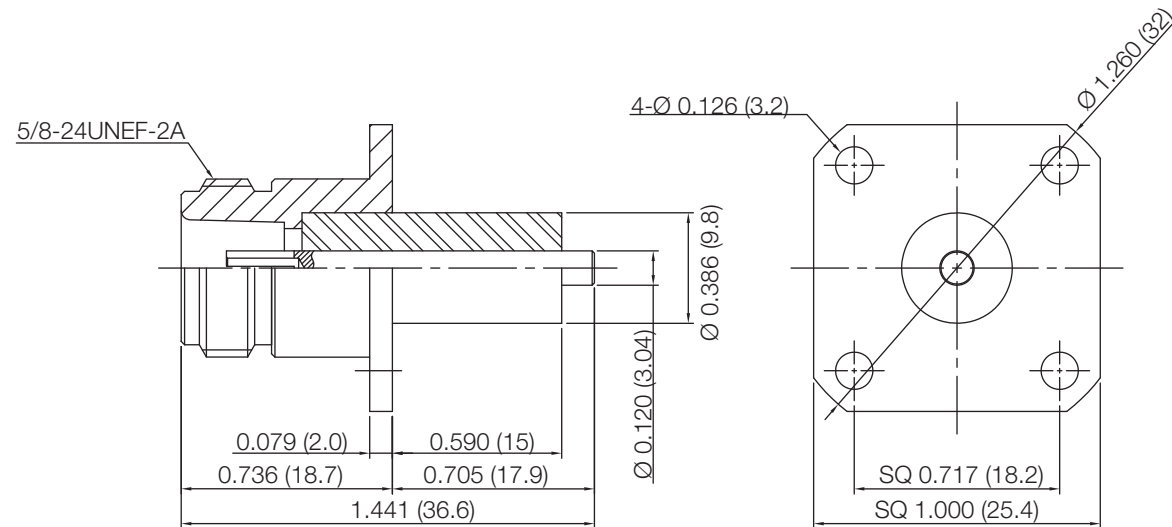
Updated Connector Design

*MP***RoHS Compliant****Electrical Data**

Impedance 50 Ω
 Frequency Range DC - 11 GHz.
 Insulation Resistance 5,000 M Ω
 Dielectric Withstanding Voltage 750 VRMS, 50 Hz
 VSWR 1.5 max

Mechanical Data

Temperature Range: -55 °C - 125 °C



Drawing not to scale. Dimensions for reference only

Units: inches (mm)

Konnect RF

WWW.KONNECTRF.COM
 1-800-790-5887

PART NUMBER

KCC177127

DESCRIPTION

N Straight Female Jack Receptacle, 4 Hole Flange Mount Extended Teflon Blunt Post, Insulator & Center Contact Non-Captivated

CAGE CODE

664U0

SIGNATURE

X

THIS DRAWING INCLUDING THE DESIGNS IS THE PROPERTY OF KONNECT RF AND IS NOT TO BE USED FOR ANY PURPOSE WITHOUT OUR APPROVAL.

Component

Body
 Center Contact
 Insulator

Material

Stainless Steel
 BeCu
 PTFE

Plating/Finish

Passivated
 Gold