

PART NUMBER

KCC177096

REV.

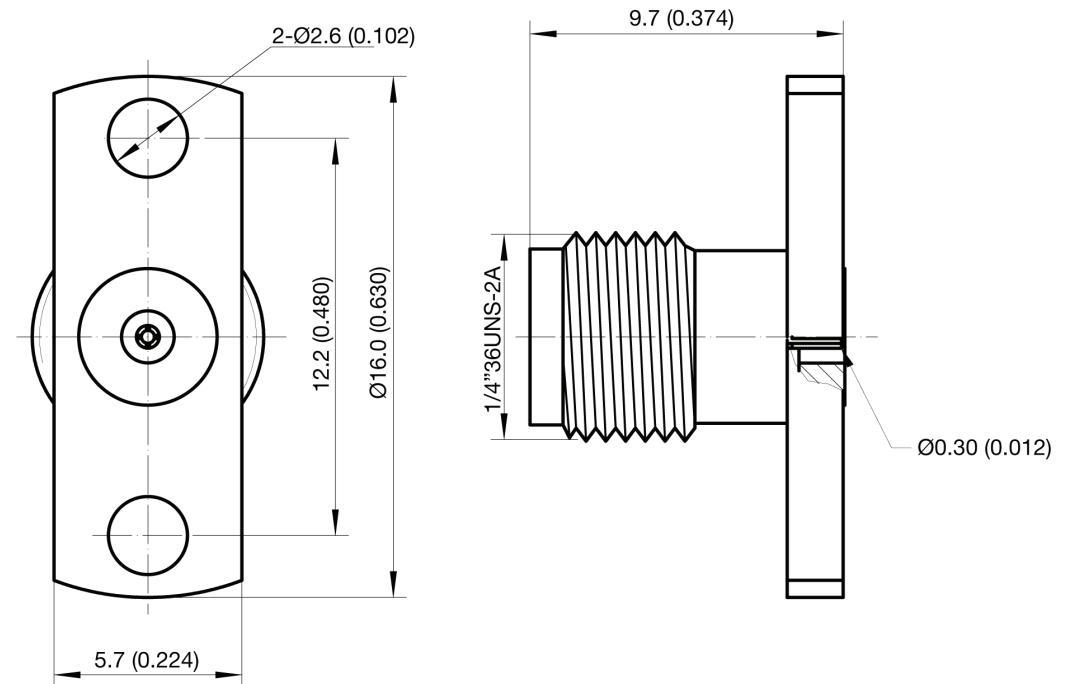
DATE

DESC.

INITIAL

Electrical Data

Impedance	50 Ω
Frequency Range	DC -40 GHz
Insulator Withstanding	1000 V
Insulation Resistance	3000M Ω Min.
VSWR	1.30 Max. @ DC-40 GHz
Contact Resistance	Center contact: 4.0m Ω Max. Outer contact: 5.0m Ω Max.

RoHS Compliant

VSWR and Frequency Range Specifications are for reference and are dependant on cable type and other application specific conditions

Drawing not to scale. Dimensions for reference only

WWW.KONNECTRF.COM
540 NW University Blvd. Ste. 109
Port Saint Lucie, Florida, 34986
1-800-790-5887

PART NUMBER

KCC177096

DESCRIPTION

**2.9mm Straight Female Jack - Field Replaceable
Receptacle - (0.012 inch pin) - 2-Hole Flange Mount**

CAGE CODE

664U0

SIGNATURE

X

Materials

**Body
Contact
Insulators**

**Stainless Steel
Be-Cu
PTFE
MPPO**

**Passivated
Gold Plated**

THIS DRAWING INCLUDING THE DESIGNS IS THE PROPERTY OF KONNECT RF AND IS NOT TO BE USED FOR ANY PURPOSE WITHOUT OUR APPROVAL.