

PART NUMBER

**KCC177095**

REV.

INITIAL

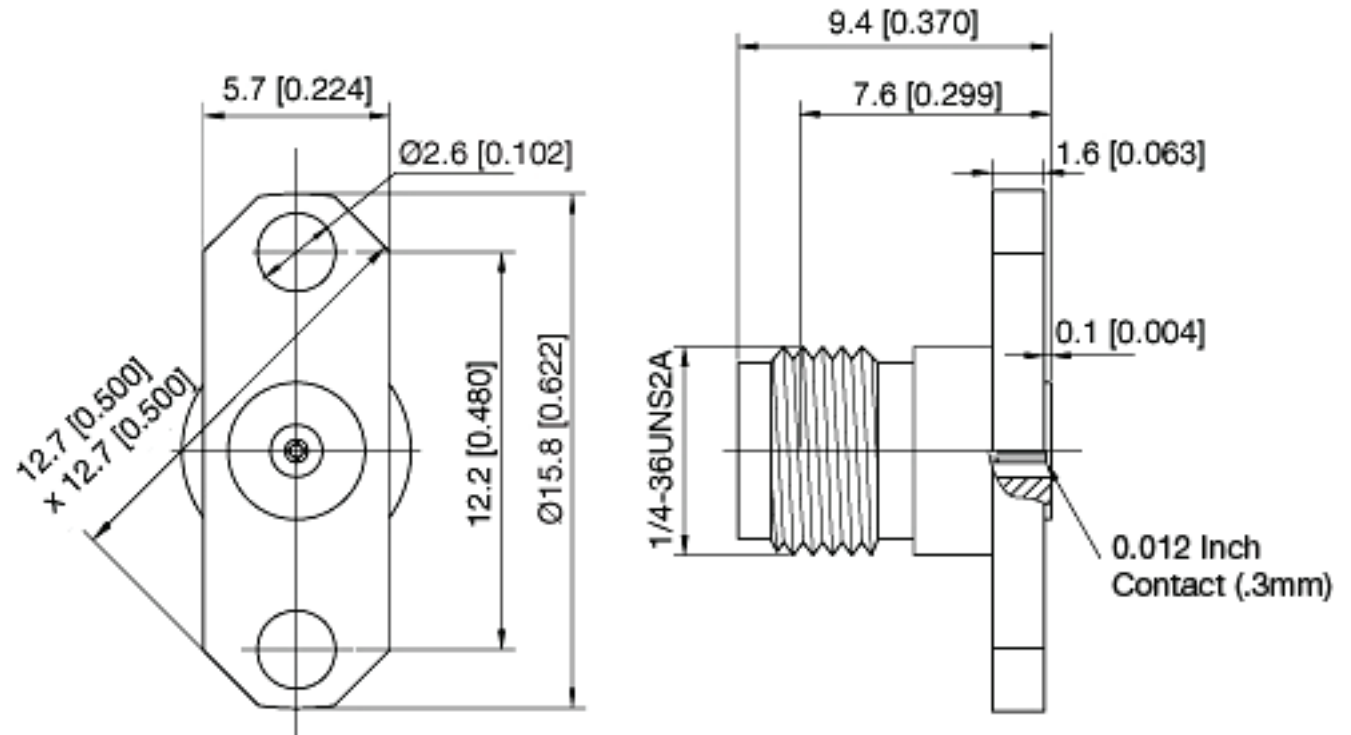
**Electrical Data**

Impedance 50Ω  
 Frequency Range DC ~ 40 GHz

**Contact Resistance**

Center Conductor < 4.0 MΩ  
 Out Conductor < 5.0 MΩ

Insulation Resistance > 3000 MΩ  
 Insulator Withstanding 1000V  
 VSWR < 1.30  
 Durability 500 Cycles

**RoHS Compliant**

VSWR and Frequency Range Specifications are for reference and are dependant on cable type and other application specific conditions

Drawing not to scale. Dimensions for reference only

WWW.KONNECTRF.COM  
 540 NW University Blvd. Ste. 109  
 Port Saint Lucie, Florida, 34986  
 1-800-790-5887

PART NUMBER

**KCC177095**

DESCRIPTION

**2.9mm female jack - Field Replaceable  
 2 hole flange to accept .012" dia pin**

CAGE CODE

**664U0**

SIGNATURE

X

**Materials**

Body  
 Center Contact  
 Insulator

Stainless Steel  
 Be.cu  
 Polyethylene

Passivated  
 Gold Plated

THIS DRAWING INCLUDING THE DESIGNS IS THE PROPERTY OF KONNECT RF AND IS NOT TO BE USED FOR ANY PURPOSE WITHOUT OUR APPROVAL.