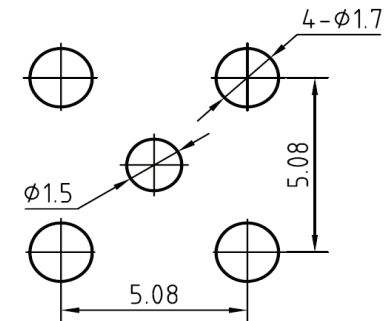
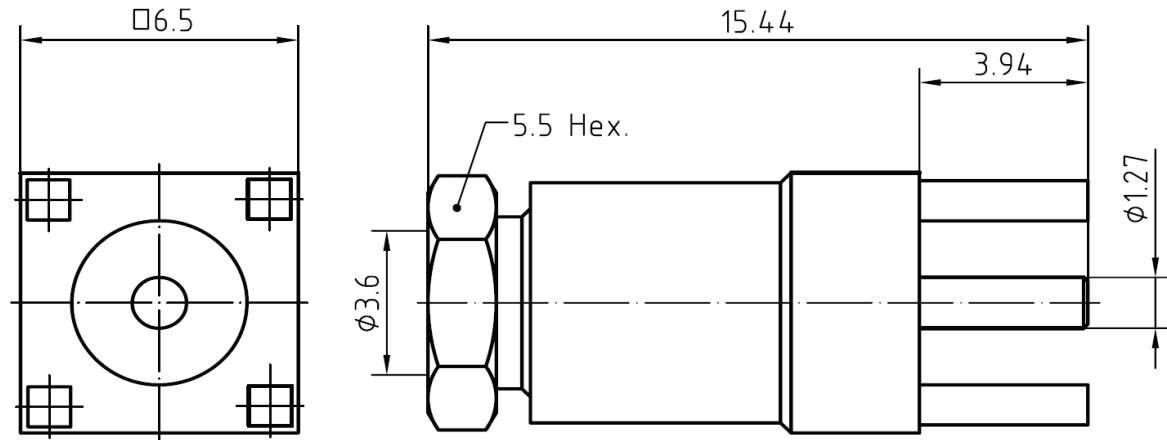


PART NUMBER

KCC177094

REV.

INITIAL

RoHS Compliant

Drawing not to scale. Dimensions for reference only

Units: mm (inches)

Konnect RF

WWW.KONNECTRF.COM
1-800-790-5887

PART NUMBER

KCC177094

DESCRIPTION

Cable Termination, Straight 4 Leg PCB Mount, Clamp/Solder

CAGE CODE

664U0

SIGNATURE

X

Cable Types: .141 S/R (RG-402)**Component**

Body
Center Contact
Insulator

Material

Brass
Brass
PTFE

Plating

Gold
Gold

THIS DRAWING INCLUDING THE
DESIGNS IS THE PROPERTY OF
KONNECT RF AND IS NOT TO
BE USED FOR ANY PURPOSE
WITHOUT OUR APPROVAL.