

PART NUMBER

**KCC177092**

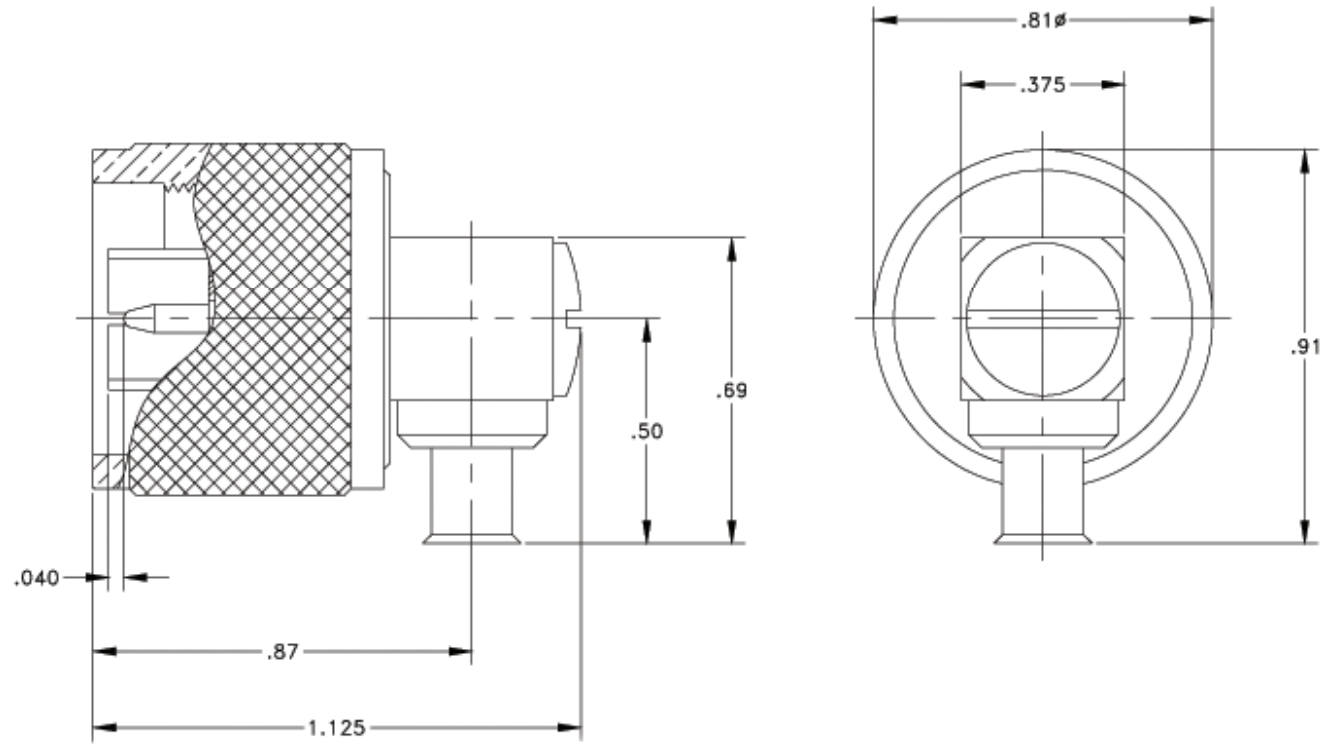
REV.

INITIAL

**Electrical Data**

Impedance

50Ω

**RoHS Compliant**

VSWR and Frequency Range Specifications are for reference and are dependant on cable type and other application specific conditions

Drawing not to scale. Dimensions for reference only

WWW.KONNECTRF.COM  
540 NW University Blvd. Ste. 109  
Port Saint Lucie, Florida, 34986  
1-800-790-5887

PART NUMBER

**KCC177092**

DESCRIPTION

**N Right Angle Male Plug  
Solder**

CAGE CODE

**664U0**

SIGNATURE

X

Cable Types

Microporous .085 Semi Rigid (RG-405)

THIS DRAWING INCLUDING THE DESIGNS IS THE PROPERTY OF KONNECT RF AND IS NOT TO BE USED FOR ANY PURPOSE WITHOUT OUR APPROVAL.