

PART NUMBER

**KCC177061**

REV.

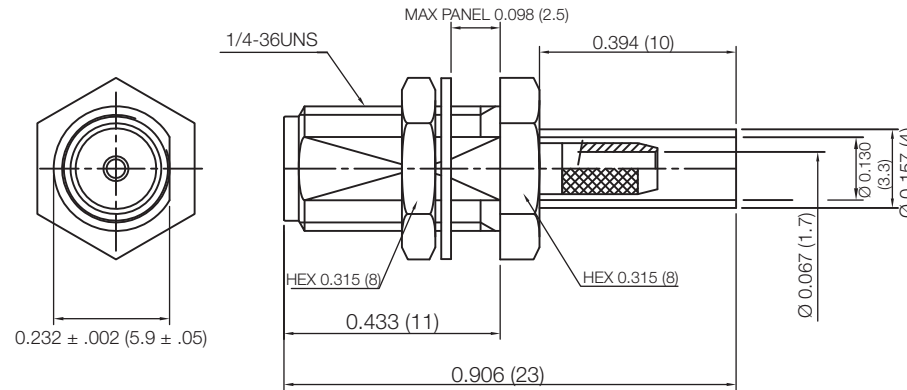
DATE

COMMENTS

INITIAL

**Electrical Data**

Impedance 50 Ω

**RoHS Compliant**

Drawing not to scale. Dimensions for reference only

Units: inches (mm)

**Konnect RF**WWW.KONNECTRF.COM  
1-800-790-5887

PART NUMBER

**KCC177061**

DESCRIPTION

**SMA Straight Female Jack, Bulkhead Rear Mount, Crimp**

CAGE CODE

**664U0**

SIGNATURE

X

**Cable Types:** RG-316 DS, LMR-100**Component**Body, Nut, & Ferrule  
Center Contact  
Washer  
Insulator**Material**Brass  
BeCu  
Stainless Steel  
PTFE**Plating**Gold  
Gold  
GoldTHIS DRAWING INCLUDING THE  
DESIGNS IS THE PROPERTY OF  
KONNECT RF AND IS NOT TO  
BE USED FOR ANY PURPOSE  
WITHOUT OUR APPROVAL.