

PART NUMBER

**KCC177050**

REV.

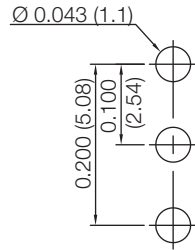
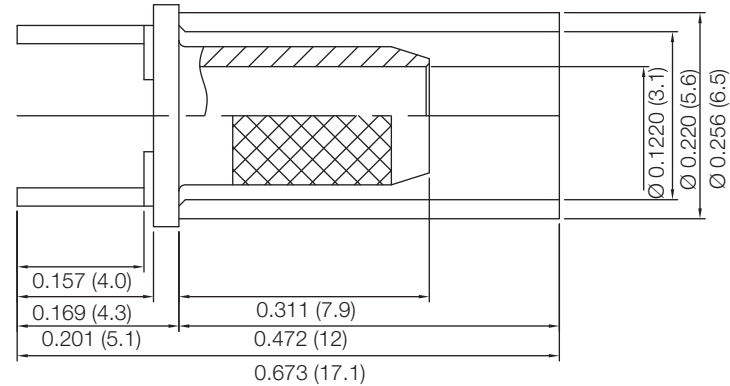
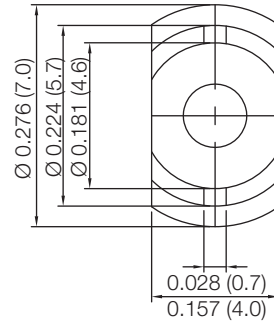
DATE

COMMENTS

INITIAL

**Electrical Data**

Impedance 50

**RoHS Compliant**Recommended  
Mounting Hole

Drawing not to scale. Dimensions for reference only

Units: inches (mm)

**Konnect RF**WWW.KONNECTRF.COM  
1-800-790-5887

PART NUMBER

**KCC177050**

DESCRIPTION

**Cable Termination, Straight 2 Leg PCB Mount, Crimp**

CAGE CODE

**664U0**

SIGNATURE

X

THIS DRAWING INCLUDING THE  
DESIGNS IS THE PROPERTY OF  
KONNECT RF AND IS NOT TO  
BE USED FOR ANY PURPOSE  
WITHOUT OUR APPROVAL.**Cable Type:** RG-400**Component**Body  
Ferrule**Material**Brass  
Brass**Plating**Gold  
Gold