

PART NUMBER

KCC177048

REV.

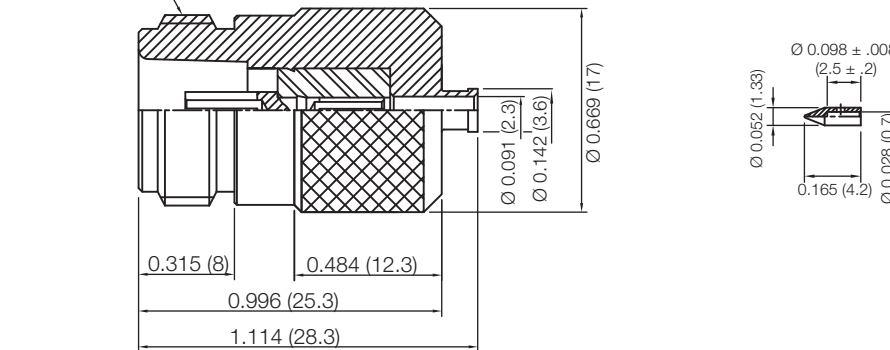
DATE

COMMENTS

INITIAL

Electrical DataImpedance 50 Ω **RoHS Compliant**

5/8-24UNEF-2A



Drawing not to scale. Dimensions for reference only

Units: inches (mm)

Konnect RFWWW.KONNECTRF.COM
1-800-790-5887

PART NUMBER

KCC177048

DESCRIPTION

N Straight Female Jack, Solder

CAGE CODE

664U0

SIGNATURE

X

Cable Types: .085 S/R (RG-405)**Component**Body & Nut
Center Contact
Insulator**Material**Brass
BeCu
PTFE**Plating**White Bronze
GoldTHIS DRAWING INCLUDING THE
DESIGNS IS THE PROPERTY OF
KONNECT RF AND IS NOT TO
BE USED FOR ANY PURPOSE
WITHOUT OUR APPROVAL.