

PART NUMBER

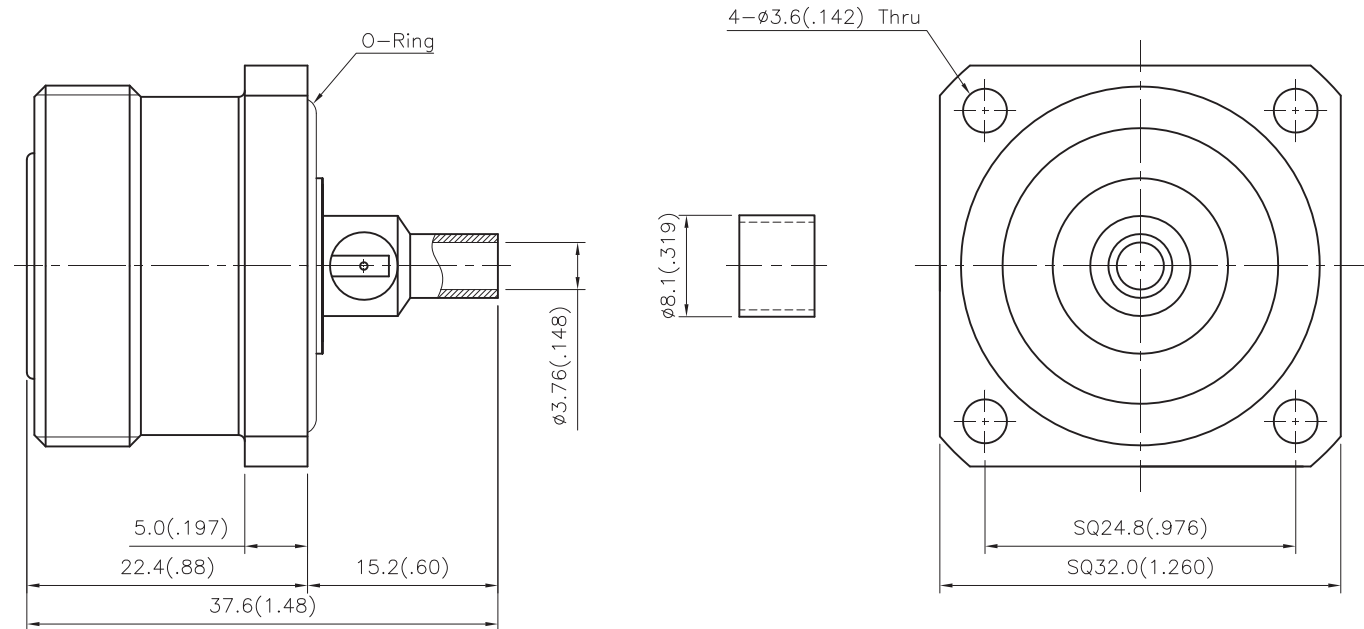
**KCC177046**

REV.

DATE

COMMENTS

INITIAL

**Electrical Data**Impedance 50  $\Omega$ **RoHS Compliant**

Drawing not to scale. Dimensions for reference only

Units: mm (inches)

**Konnnect RF**WWW.KONNECTRF.COM  
1-800-790-5887

PART NUMBER

**KCC177046**

DESCRIPTION

**7/16 DIN Straight Female Jack**

CAGE CODE

**664U0**

SIGNATURE

X

THIS DRAWING INCLUDING THE DESIGNS IS THE PROPERTY OF KONNECT RF AND IS NOT TO BE USED FOR ANY PURPOSE WITHOUT OUR APPROVAL.

**Cable Types:** .141 S/R (RG-402)**Component**

Body & Cover Sleeve  
Center Contact  
Insulator  
O-Ring

**Material**

Brass  
PbrC  
PTFE  
Silicone Rubber

**Plating**

Silver  
Silver