

PART NUMBER

KCC177036

REV.

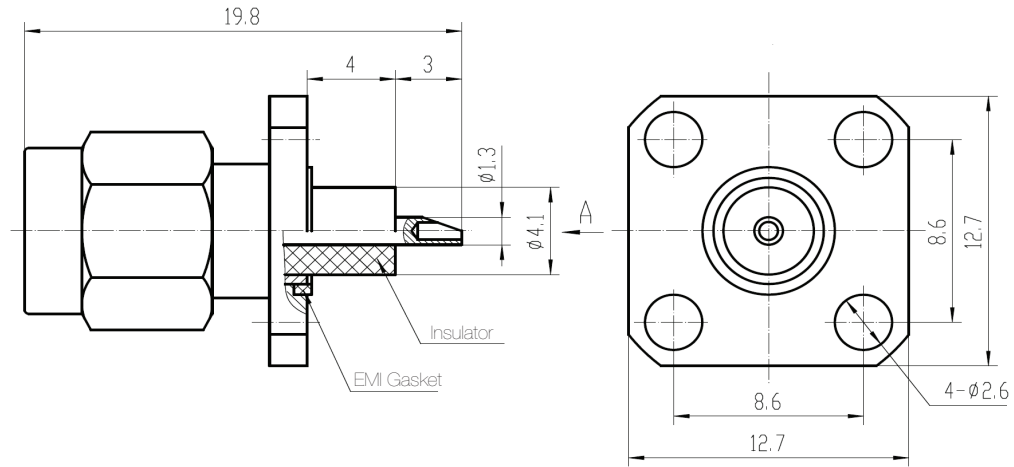
INITIAL

Electrical Data

Impedance 50 Ω
 Frequency Range DC - 18 GHz.
 Insulation Resistance 5,000 M Ω
 Dielectric Withstanding Voltage 750 VRMS

RoHS Compliant**Mechanical Data**

Temperature Range: -55 °C - 125 °C



Drawing not to scale. Dimensions for reference only

Units: mm

Konnect RF

WWW.KONNECTRF.COM
 1-800-790-5887

PART NUMBER

KCC177036

DESCRIPTION

**SMA Straight Male Plug Receptacle,
4 Hole Flange Mount, Solder Pot**

CAGE CODE

664U0

SIGNATURE

X

THIS DRAWING INCLUDING THE
 DESIGNS IS THE PROPERTY OF
 KONNECT RF AND IS NOT TO
 BE USED FOR ANY PURPOSE
 WITHOUT OUR APPROVAL.

Component

Body
 Center Contact
 Insulator

Material

Brass
 Ber. Bronze
 PTFE

Plating

Gold
 Gold