

PART NUMBER

KCC177033

REV.

DATE

COMMENTS

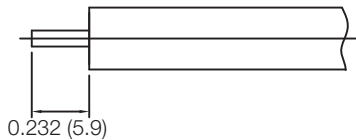
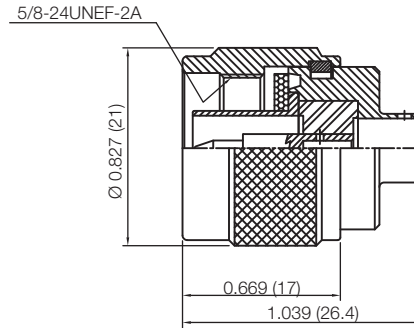
INITIAL

Electrical Data

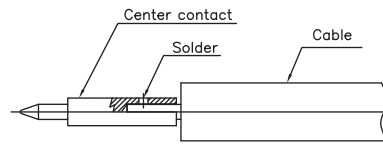
Impedance 50 Ω
 Frequency Range DC- 6 GHz
 Working Voltage 500 VRMS
 VSWR 1.25 max @ 3 GHz

Mechanical Data

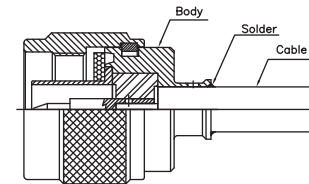
Temperature Range: -55 °C - 165 °C

RoHS Compliant

Cable Stripping Dimensions



Solder Pin to the Cable



Solder the connector body and cable

Drawing not to scale. Dimensions for reference only

Units: inches (mm)

Konnect RF

WWW.KONNECTRF.COM
 1-800-790-5887

PART NUMBER

KCC177033

DESCRIPTION

N Straight Male Plug, Solder

CAGE CODE

664U0

SIGNATURE

X

Cable Types: .250 S/R (RG-401)**Component**

Body & Nut
 Center Contact
 Insulator

Material

Brass
 Brass
 PTFE

Plating

White Bronze
 Gold

THIS DRAWING INCLUDING THE
 DESIGNS IS THE PROPERTY OF
 KONNECT RF AND IS NOT TO
 BE USED FOR ANY PURPOSE
 WITHOUT OUR APPROVAL.