

PART NUMBER

KCC177031

REV.

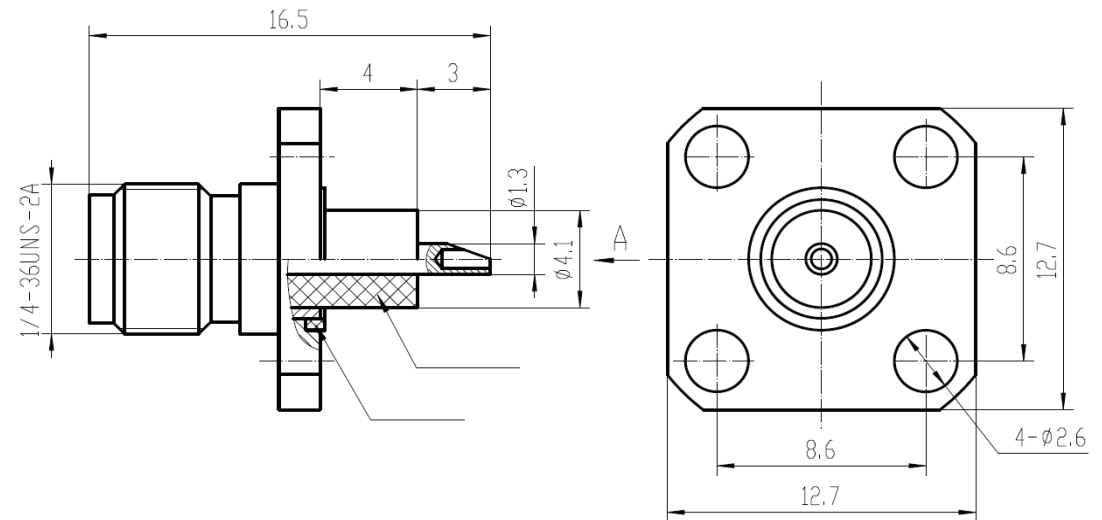
INITIAL

Electrical Data

Impedance 50 Ω
 Frequency Range DC - 18 GHz
 Insulation Resistance 5000 M
 DWV 750 VRMS
 Operating Temperature -55°C + 125°C

RoHS Compliant

All materials are RoHS compliance.



Drawing not to scale. Dimensions for reference only

Units: mm

Konnnect RF

WWW.KONNECTRF.COM
 1-800-790-5887

PART NUMBER

KCC177031

DESCRIPTION

**SMA Straight Female Jack Receptacle
4 Hole Flange Mount, Solder Pot, Epoxy Captivated**

CAGE CODE

664U0

SIGNATURE

X

THIS DRAWING INCLUDING THE
 DESIGNS IS THE PROPERTY OF
 KONNECT RF AND IS NOT TO
 BE USED FOR ANY PURPOSE
 WITHOUT OUR APPROVAL.

Component

Body
 Center Contact
 Insulator

Material

Brass
 Be.Bronze
 PTFE

Plating

Gold
 Gold