

PART NUMBER

**KCC177030**

REV.

DATE

COMMENTS

INITIAL

**Electrical Data**

Impedance 50 Ω  
 Frequency Range DC - 2 GHz

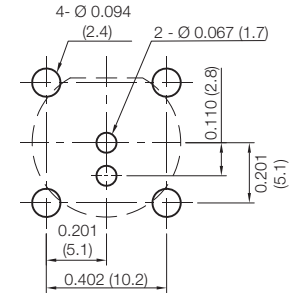
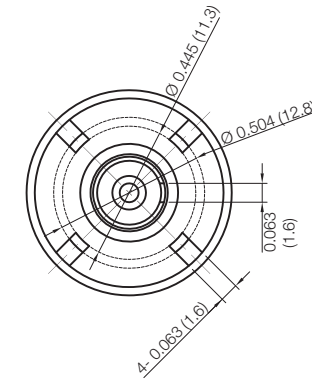
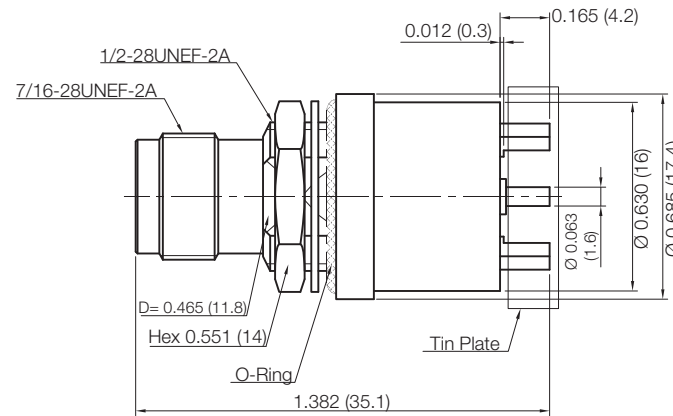
Contact Resistance:  
 Center Conductor ≤2.0 mΩ  
 Middle Conductor ≤0.5 mΩ  
 Outer Conductor ≤0.2 mΩ

Insulation Resistance ≥1000 MΩ  
 Operating Voltage 400 V

Insulator Withstanding Voltage:  
 Center & Middle Conductor 1200 V  
 Middle & Outer Conductor 500 V

**Mechanical Data**

Operating Temperature -65°C ~ 165°C  
 Durability 500 Cycles

**RoHS Compliant**

Hole Pattern

Drawing not to scale. Dimensions for reference only

Units: inches (mm)

**Konnect RF**

WWW.KONNECTRF.COM  
 1-800-790-5887

PART NUMBER

**KCC177030**

DESCRIPTION

**TNC Triax Straight Female Jack 4 Leg Standoff  
PC Board Receptacle, Bulkhead, Silicone O-Ring**

CAGE CODE

**664U0**

SIGNATURE

X

THIS DRAWING INCLUDING THE  
 DESIGNS IS THE PROPERTY OF  
 KONNECT RF AND IS NOT TO  
 BE USED FOR ANY PURPOSE  
 WITHOUT OUR APPROVAL.

**Component**

Body  
 Center Conductor  
 Outer Conductor  
 O-Ring  
 Insulator

**Material**

Brass  
 BeCu  
 Brass  
 Silicone Rubber  
 PTFE

**Plating**

Nickel  
 Gold  
 Gold