

PART NUMBER

**KCC177024**

REV.

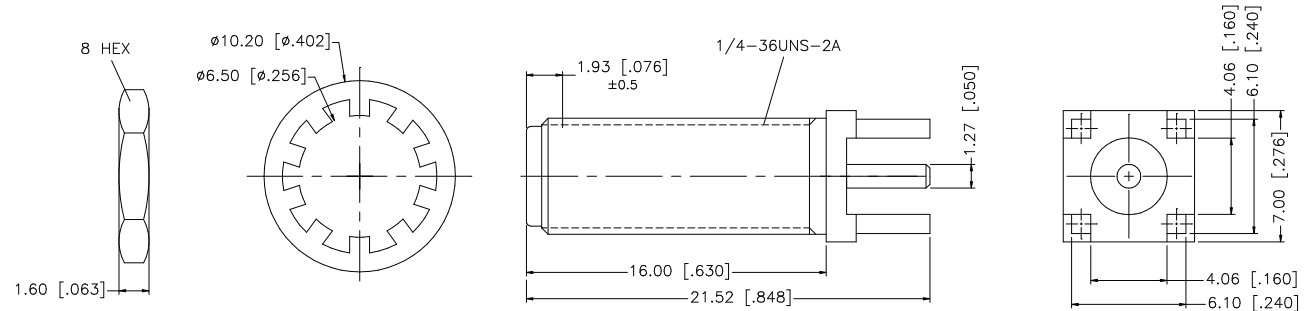
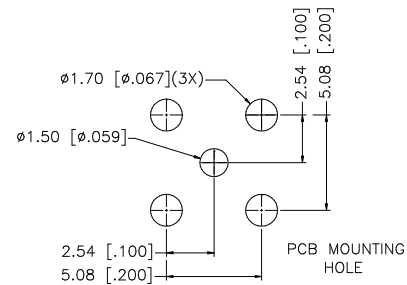
DATE

COMMENTS

INITIAL

**Electrical Data****RoHS Compliant**

Impedance 50 Ω



Drawing not to scale. Dimensions for reference only

Units: mm [inches]

**Konnect RF**WWW.KONNECTRF.COM  
1-800-790-5887

PART NUMBER

**KCC177024**

DESCRIPTION

**SMA Straight Female Jack 4 Leg Standoff PC Board Receptacle,  
Bulkhead Rear Mount**

CAGE CODE

**664U0**

SIGNATURE

X

THIS DRAWING INCLUDING THE  
DESIGNS IS THE PROPERTY OF  
KONNECT RF AND IS NOT TO  
BE USED FOR ANY PURPOSE  
WITHOUT OUR APPROVAL.**Component**Body & Nut  
Center Contact  
Insulator**Material**Brass  
BeCu  
PTFE**Plating**Gold  
Gold