

PART NUMBER

KCC177023

REV.

DATE

COMMENTS

INITIAL

ELECTRICAL DATA

Impedance	50Ω
Frequency range	DC~12.4GHz
Contact current	DC 2.0A max
Working voltage	Semi-rigid cable: 1000V Flexible cable : 750V
Contact resistance	Center contacts : 3.0mΩ Outer contacts : 2.5mΩ
Insulation resistance	5000MΩ min.
Insertion loss	0.05√f(GHz)dB
V.S.W.R	≤1.15+0.02f(GHz)
RF leakage	-60dBm min. between 2~3GHz

MECHANICAL DATA

Coupling nut torque	12Ncm~140Ncm
Coupling nut retention force	≥200N
Life	500 matings.
Contact captivation	≥27N

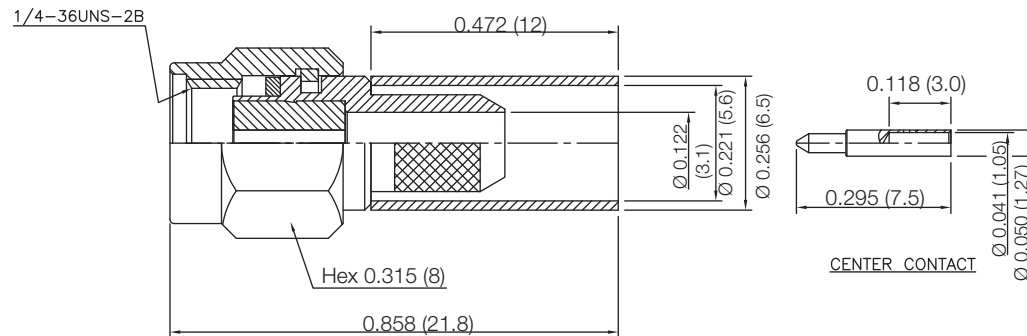
ENVIRONMENTAL DATA

Temperature range	-65°C ~ +125°C
Corrosion resistance	MIL-STD-202, Method 101, Condition B.
Moisture resistance	MIL-STD-202, Method 106
Thermal shock	MIL-STD-202, Method 107, Condition B.
Vibration	MIL-STD-202, Method 204, Condition D.
Shock	MIL-STD-202, Method 213, Condition I.

**VSWR and Frequency Range Specifications
are for reference and are dependant on cable
type and other application specific conditions**

Drawing not to scale. Dimensions for reference only

Units: inches (mm)

RoHS Compliant

WWW.KONNECTRF.COM
1-800-790-5887

PART NUMBER

KCC177023

DESCRIPTION

SMA Straight Male Plug, Crimp

CAGE CODE

664U0

SIGNATURE

X

Cable Types: RG-142, 223, 400**Component**

Body & Coupling Cap

Material

Brass

PlatingGold Plated 0.04-0.06um
Over Nickel 2-4um Plate

Center Contact

Brass

Gold Plated 0.04-0.06um
Over Nickel 2-4um Plate

Ferrule

Brass

Gold Plated 0.04-0.06um
Over Nickel 2-4um PLate

Insulator

PTFE

THIS DRAWING INCLUDING THE
DESIGNS IS THE PROPERTY OF
KONNECT RF AND IS NOT TO
BE USED FOR ANY PURPOSE
WITHOUT OUR APPROVAL.