

PART NUMBER

KCC177021

REV.

DATE

COMMENTS

INITIAL

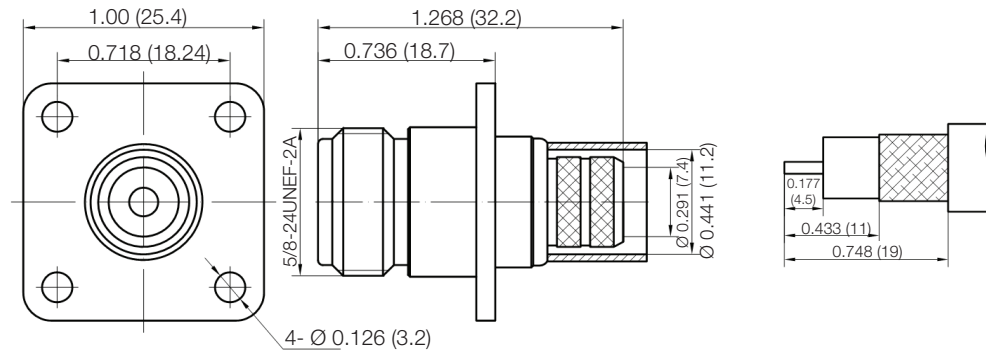
Electrical Data

Impedance 50 Ω
 Frequency Range DC - 11 GHz.
 Insertion Loss ≤ 0.25 dB max. @ DC - 6 GHz
 Working Voltage 1,400 VRMS
 Test Voltage 2,500 VRMS
 Return Loss 30 dB min. @ DC - 2.5 GHz
 28 dB min. @ 2.5 - 4 GHz
 18 dB min. @ 4 - 8 GHz

Insulation Resistance

 $\geq 5,000$ M Ω **Mechanical Data**

Durability 500 Cycles Min.
 Temperature Range: -55°C - 155 °C

RoHS Compliant

Drawing not to scale. Dimensions for reference only

Units: inches (mm)

Konnect RF

WWW.KONNECTRF.COM
 1-800-790-5887

PART NUMBER

KCC177021

DESCRIPTION

N Straight Female Jack, Crimp, 4 Hole Flange Mount

CAGE CODE

664U0

SIGNATURE

X

Cable Types: RG-214

Component

Body
 Center Contact
 Insulator

Material

Brass
 Brass
 PTFE

Plating

Nickel
 Gold

THIS DRAWING INCLUDING THE
 DESIGNS IS THE PROPERTY OF
 KONNECT RF AND IS NOT TO
 BE USED FOR ANY PURPOSE
 WITHOUT OUR APPROVAL.