

PART NUMBER

KCC177020

REV.

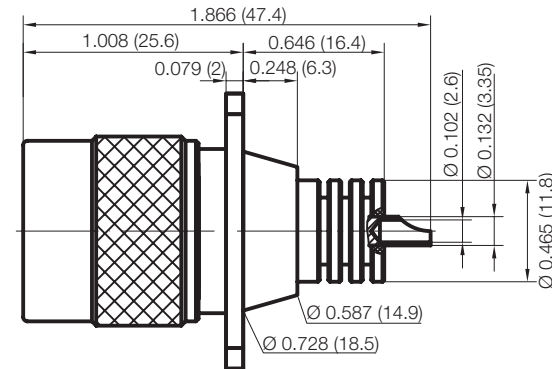
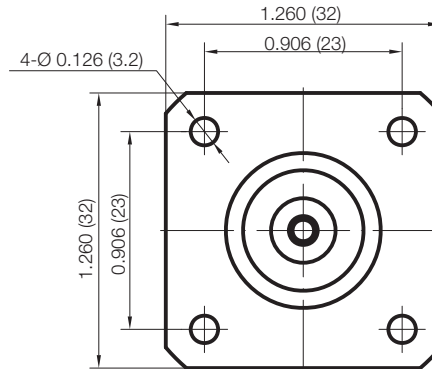
DATE

COMMENTS

INITIAL

Electrical Data

Impedance	50 Ω
Frequency Range	DC - 4 GHz.
Insertion Loss	≤ 0.25 dB
Working Voltage	1,500 VRMS
Contact Resistance	
Center	≤ 1.0 m Ω
Outer	≤ 0.2 m Ω
Insulation Resistance	$\geq 5,000$ M Ω

RoHS Compliant

Drawing not to scale. Dimensions for reference only

Units: inches (mm) / Tolerance ± 0.1 mm**Konnect RF**

WWW.KONNECTRF.COM
1-800-790-5887

PART NUMBER

KCC177020

DESCRIPTION

HN Straight Male Plug Receptacle, 4 Hole Flange Mount, Solder Pot

CAGE CODE

664U0

SIGNATURE

X

THIS DRAWING INCLUDING THE
DESIGNS IS THE PROPERTY OF
KONNECT RF AND IS NOT TO
BE USED FOR ANY PURPOSE
WITHOUT OUR APPROVAL.

Component

Body
Center Contact
Insulator
O-Ring Seal

Material

Brass
Brass
PTFE
Silicone Rubber

Plating

Silver
Silver