

PART NUMBER

KCC177003

REV.

DATE

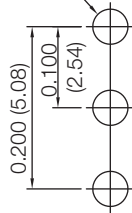
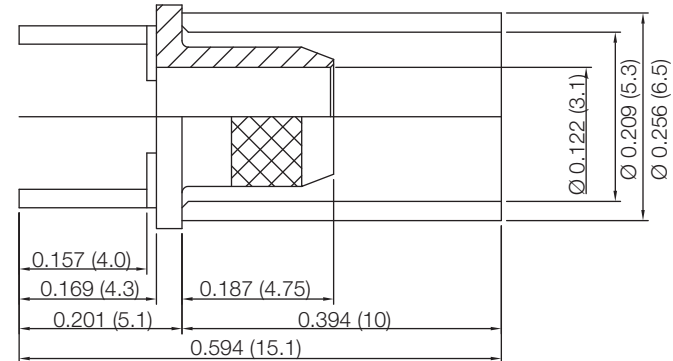
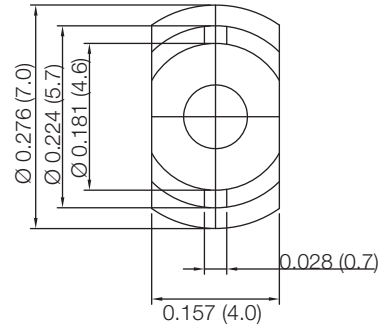
COMMENTS

INITIAL

Electrical Data**RoHS Compliant**

Impedance 50 Ω

3-Ø 0.043 (1.1)

Recommended
Mounting Hole

Drawing not to scale. Dimensions for reference only

Units: inches (mm)

Konnect RFWWW.KONNECTRF.COM
1-800-790-5887

PART NUMBER

KCC177003

DESCRIPTION

**Cable Termination, Straight 2 Leg PCB Mount,
Short Crimp Sleeve (0.594"), Crimp**

CAGE CODE

664U0

SIGNATURE

X

Cable Type: RG-58**Component**Body
Ferrule**Material**Brass
Brass**Plating**Gold
GoldTHIS DRAWING INCLUDING THE
DESIGNS IS THE PROPERTY OF
KONNECT RF AND IS NOT TO
BE USED FOR ANY PURPOSE
WITHOUT OUR APPROVAL.