

PART NUMBER

KCC177002

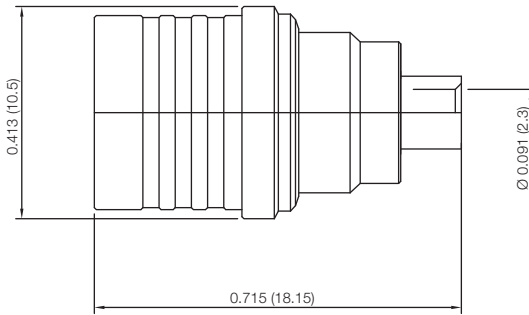
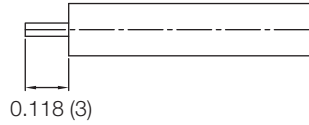
REV.	DATE	COMMENTS	INITIAL
A	11-8-16	Updated Connector Body Length	<i>MP</i>

RoHS Compliant**Electrical Data**

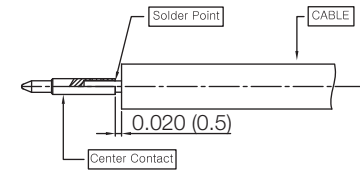
Impedance 50 Ω
 Frequency Range DC - 6 GHz.
 Insulation Resistance $\geq 5,000 \text{ M}\Omega$ Min.
 VSWR ≤ 1.30 @ 6 GHz Max.

Mechanical Data

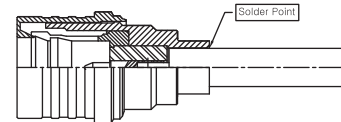
Temperature Range: -65 °C - 125 °C

**Cable Assembly Instructions**

1) Strip the cable per the drawing



2) Solder the center contact & center conductor of the cable



3) Solder the connector body & cable

Drawing not to scale. Dimensions for reference only

Units: inches (mm)

WWW.KONNECTRF.COM
1-800-790-5887

PART NUMBER		DESCRIPTION
KCC177002		QMA Straight Male Plug, Solder
CAGE CODE	SIGNATURE	Cable Type: .085 S/R (RG-405) Component Material Plating Body & Coupling Nut Brass Gold Center Contact Brass Gold Outer Contact BeCu Gold Insulator PTFE
664U0	<i>MP</i> X	
THIS DRAWING INCLUDING THE DESIGNS IS THE PROPERTY OF KONNECT RF AND IS NOT TO BE USED FOR ANY PURPOSE WITHOUT OUR APPROVAL.		