

PART NUMBER

**KCC177001**

REV.

DATE

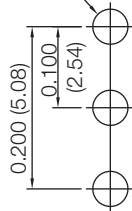
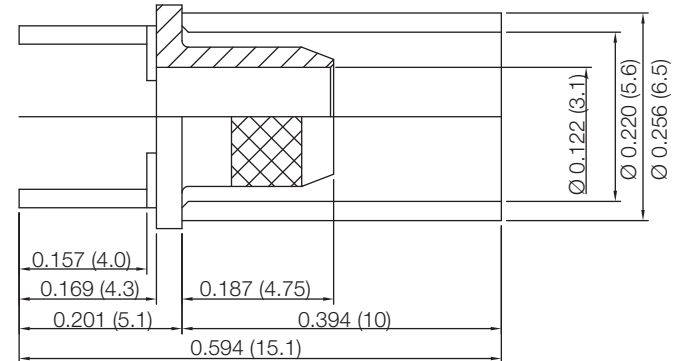
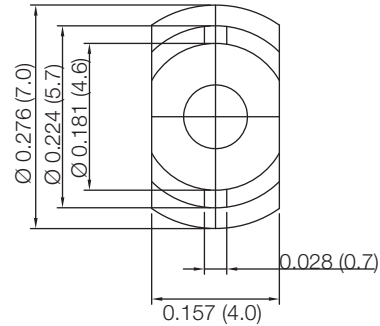
COMMENTS

INITIAL

**Electrical Data****RoHS Compliant**

Impedance 50 Ω

3-Ø 0.043 (1.1)

Recommended  
Mounting Hole

Drawing not to scale. Dimensions for reference only

Units: inches (mm)

**Konnect RF**WWW.KONNECTRF.COM  
1-800-790-5887

PART NUMBER

**KCC177001**

DESCRIPTION

**Cable Termination, Straight 2 Leg PCB Mount,  
Short Crimp Sleeve (0.594"), Crimp**

CAGE CODE

**664U0**

SIGNATURE

X

**Cable Type:** RG-400**Component**Body  
Ferrule**Material**Brass  
Brass**Plating**Gold  
GoldTHIS DRAWING INCLUDING THE  
DESIGNS IS THE PROPERTY OF  
KONNECT RF AND IS NOT TO  
BE USED FOR ANY PURPOSE  
WITHOUT OUR APPROVAL.