

PART NUMBER

KAT179931

REV.

DATE

COMMENTS

INITIAL

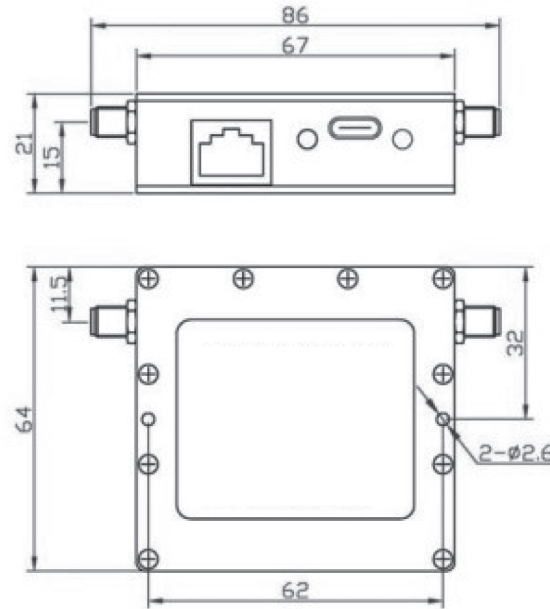
Electrical Data

Impedance	50 Ω
Frequency Range	0.001 - 6 GHz
Insertion Loss	\leq 12 dB
VSWT	\leq 1.8 Max
Operating Voltage	+5V
Operating Current	10mA
Power Interface	Type-C
Switching Speed	2us
Input Power	30dBm
Attenuation Accuracy	$\pm(0.3+6\%$ of Attenuation Setting)dB
Attenuation Step	0.25 dB
Attenuation Range	0-95dB @ 6 GHz 0-80dB @ 8 GHz

Mechanical Data

Temperature Range	-20 °C - 70 °C
-------------------	----------------

RoHS Compliant

**Drawing not to scale. Dimensions for reference only****Units: inches****Konnect RF**

WWW.KONNECTRF.COM
1-800-790-5887

PART NUMBER

KAT179931

DESCRIPTION

Programmable Solid Attenuator, SMA Female

CAGE CODE

664U0

SIGNATURE

X

Component
 Body
 Center Contact
 Housing

Material
 Brass

Plating
 Gold/ Nickel
 BeCu
 Aluminum

THIS DRAWING INCLUDING THE
 DESIGNS IS THE PROPERTY OF
 KONNECT RF AND IS NOT TO
 BE USED FOR ANY PURPOSE
 WITHOUT OUR APPROVAL.