

PART NUMBER

KAT178900-XX

REV.

DATE

COMMENTS

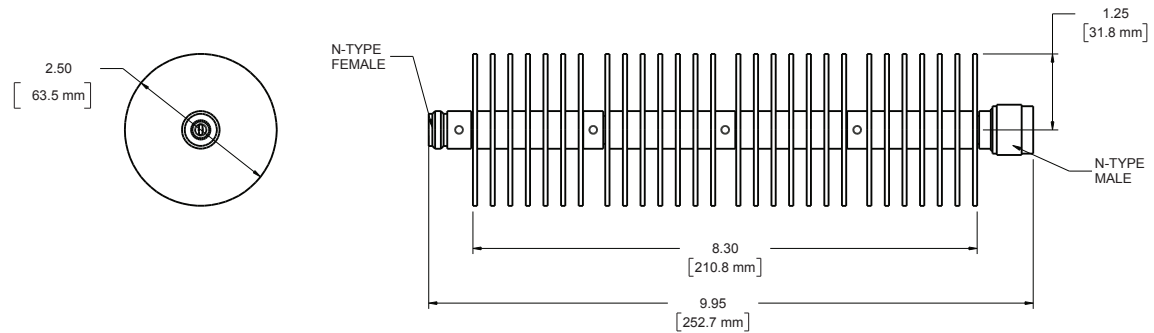
INITIAL

Electrical Data

Impedance	50 Ω
Frequency Range	DC - 18 GHz.
Attenuation	10,20,30,40 dB
Attenuation Accuracy	10 dB +/- 2 dB 20,30,40 dB +/- 1.5 dB LIM Option +/- 3 dB
Input Power Max	150 Wcw/ 1 Kw peak (5 microsecond PW, 7.5% Duty Cycle) Unidirectional
Max Power into Output Port	10 Wcw
Power Coefficient	<0.0002 dB/dB/Watt
VSWR	1.60 @ 10 dB 1.50 @ 20,30,40 dB

Mechanical Data

Temperature Range:	-55 $^{\circ}$ C - 125 $^{\circ}$ C
Temperature Coefficient	<0.0004 dB/dB/C

RoHS Compliant

Drawing not to scale. Dimensions for reference only

Units: inches (mm)

Konnect RF

WWW.KONNECTRF.COM
1-800-790-5887

PART NUMBER

KAT178900-XX

DESCRIPTION

Fixed Attenuator, N Female/Male

CAGE CODE

664U0

SIGNATURE

X

THIS DRAWING INCLUDING THE
DESIGNS IS THE PROPERTY OF
KONNECT RF AND IS NOT TO
BE USED FOR ANY PURPOSE
WITHOUT OUR APPROVAL.