

PART NUMBER

KAT178681

REV.

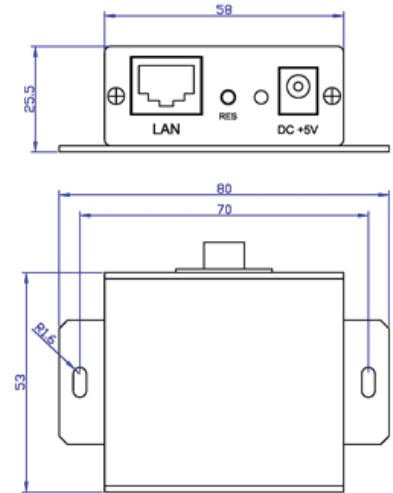
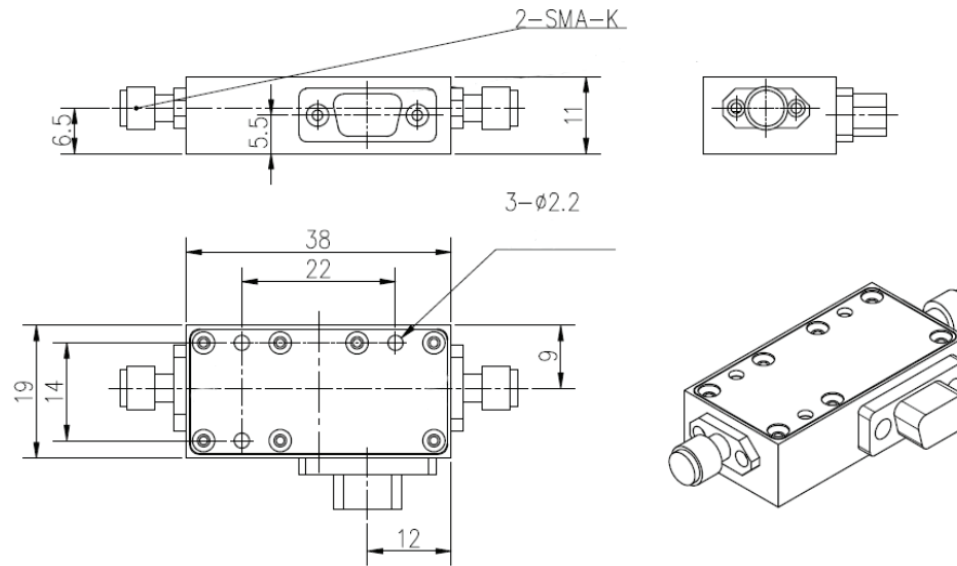
DATE

COMMENTS

INITIAL

Electrical Data

Impedance	50 Ω
Frequency Range	0.5min, 18 Max GHz
Insertion Loss	13Typ, 15Max dB
Attenuation Range	63dB
Attenuation Accuracy	$\pm 2.5(\pm 0.3 + 5\%A)$ dB
Control Step Size	1
Input VSWR	1.7 Typ 2.3Max
Output VSWR	1.7 Typ 2.3Max
Switching Speed	<50ns
Bias Current(+5V/-5V)	<10 mA
Voltage/Current	5V/1A

RoHS Compliant

Drawing not to scale. Dimensions for reference only

Units: mm

Konnect RF

WWW.KONNECTRF.COM
1-800-790-5887

PART NUMBER

KAT178681

DESCRIPTION

**Digital Control Attenuator, 2.92 Female, 0.5-18 GHz,
Controlling Interface: LAN**

CAGE CODE

664U0

SIGNATURE

X

THIS DRAWING INCLUDING THE
DESIGNS IS THE PROPERTY OF
KONNECT RF AND IS NOT TO
BE USED FOR ANY PURPOSE
WITHOUT OUR APPROVAL.