

PART NUMBER

KAT178400

REV.

DATE

COMMENTS

INITIAL

Electrical Data

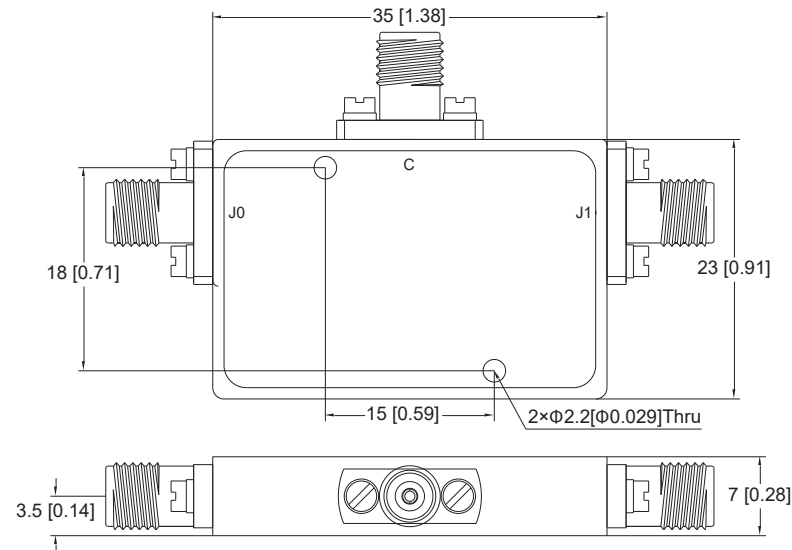
Frequency Range	1.4 -2.8 GHz.
Insertion Loss	1.1 dB Max
Analog Control Voltage	0 -10 V
CW RF Power	28 dBm
Attenuation Range	50 dB
VSWR	1.5

RoHS Compliant**Environmental Specifications**

Operational Temperature	-45 °C - 85 °C
Storage Temperature	-55 °C - 125 °C
Vibration	25g rms (15 degree 2KHz)
Humidity	40 deg c
Shock	20G for 11 msc

Absolute Maximum Ratings

Control Voltage	10V
Input RF Power	+30dBm
Storage Temperature	-55°C - 125°C



Unless otherwise specified, Outline drawing +/-0.1mm; Hole +/-0.1mm.

Drawing not to scale. Dimensions for reference only

Units: mm (Inches)

Konnect RF

WWW.KONNECTRF.COM
1-800-790-5887

PART NUMBER

KAT178400

DESCRIPTION

Reflective Voltage Control Attenuator, SMA Female/Female

CAGE CODE

664U0

SIGNATURE

X

Component	Material	Plating
Body	Aluminum	Gold

THIS DRAWING INCLUDING THE
DESIGNS IS THE PROPERTY OF
KONNECT RF AND IS NOT TO
BE USED FOR ANY PURPOSE
WITHOUT OUR APPROVAL.