

PART NUMBER

KAT178330-XX

REV.

DATE

COMMENTS

INITIAL

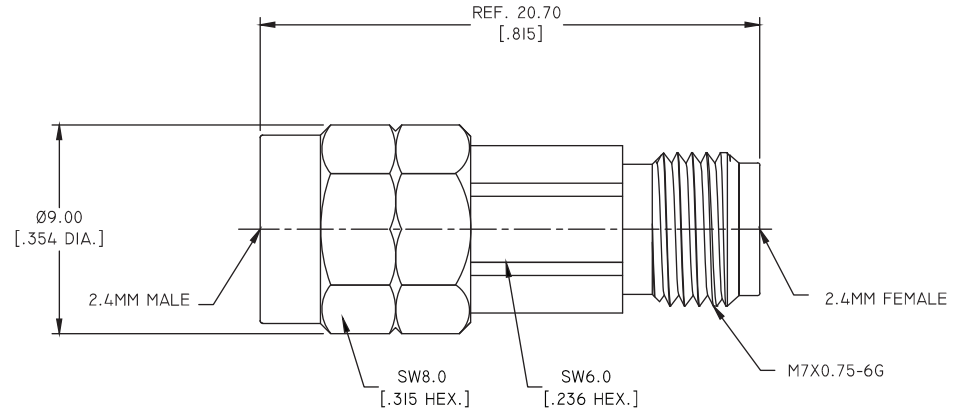
Electrical Data

Impedance 50 Ω
 Frequency Range DC - 50 GHz.
 Average Power Max Power 2 Watts Average to 25°C
 Ambient Temperature Derated Linearly
 to 0.2W @ 125°C
 Peak Power Max Power 100W (5 μ S Pulse width with the max
 1% duty cycle)
 VSWR 1.30 Max

RoHS Compliant

Mechanical Data

Temperature Range: -55 °C - 125 °C



PART NO.	ATTENUATION VALUES & ACCURACY				
	1 DB ~ 10 DB	15 DB	20 DB	25 DB	30 DB (VSWR:1.35 MAX.)
KAT178330-XX	± 1 DB	± 1 DB	± 1 DB	± 1.5 DB	± 1.5 DB

NOTE: XX REFER TO ATTENUATION VALUE IN DB

Drawing not to scale. Dimensions for reference only

Units: mm (inches)

Konnect RF

WWW.KONNECTRF.COM
 1-800-790-5887

PART NUMBER

KAT178330-XX

DESCRIPTION

Fixed Attenuator, 2.4 Male/Female

CAGE CODE

664U0

SIGNATURE

X

THIS DRAWING INCLUDING THE
 DESIGNS IS THE PROPERTY OF
 KONNECT RF AND IS NOT TO
 BE USED FOR ANY PURPOSE
 WITHOUT OUR APPROVAL.

Component

Body & Coupling Nut
 Center Contact
 Insulator

Material

Stainless Steel
 Phos. Bronze
 PEI

Plating/Finish

Passivated
 Gold