

PART NUMBER

KAT178303-XX

REV.

DATE

COMMENTS

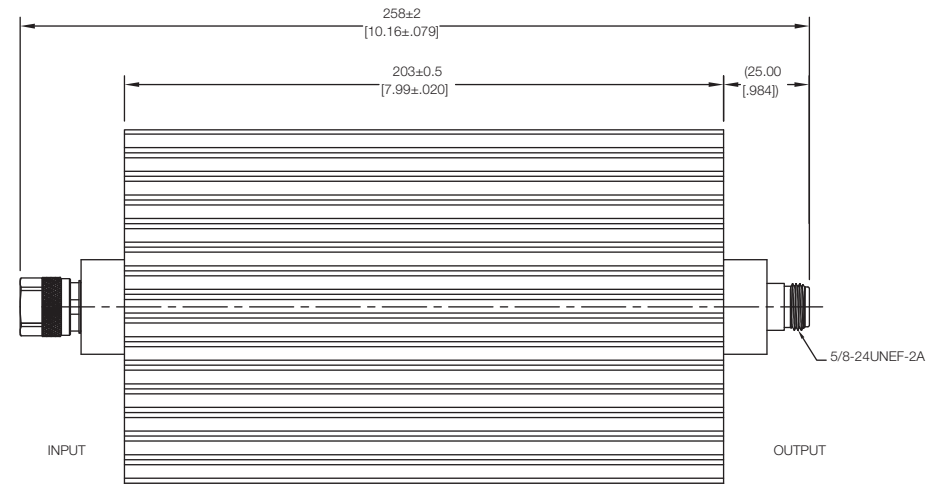
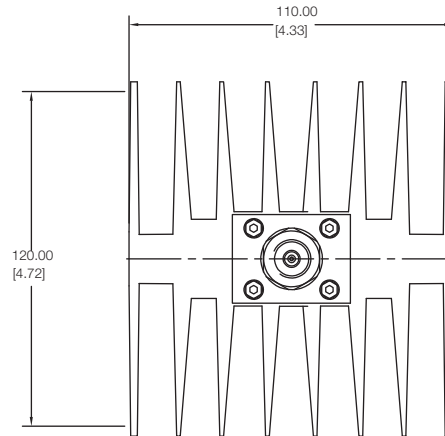
INITIAL

Electrical Data

Impedance 50 Ω
 Frequency Range DC - 18 GHz
 Average Power 200 Watts Average to 25°C Ambient Temperature,
 Derated Linerally to 20W @ 100°C
 VSWR 1.20 @ DC-8 GHz
 1.25 @ 4-8 GHz
 1.35 @ 8-12.4 GHz
 1.45 @ 12.4-18 GHz

Mechanical Data

Temperature Range: -55 °C - 100 °C



RoHS Compliant

PART NO.	FREQUENCY	ATTENUATION VALUES & ACCURACY				
		6-10 DB	20 DB	30 DB	40 DB	50-60 DB
KAT178303-XX	DC-4 GHz	±0.7 DB	±0.7 DB	±0.8 DB	±0.9 DB	±0.9 DB
	4-8 GHz	±0.8 DB	±0.8 DB	±0.9 DB	±0.9 DB	±0.9 DB
	8-12.4 GHz	±1.5 DB	±0.9 DB	±1.0 DB	±1.1 DB	±1.1 DB
	12.4-18 GHz	±2.5 DB	±2.0 DB	±1.5 DB	±1.3 DB	±1.4 DB

NOTE: XX REFER TO ATTENUATION VALUE IN DB

Drawing not to scale. Dimensions for reference only**Units: mm (inches)****Konnect RF**

WWW.KONNECTRF.COM
1-800-790-5887

PART NUMBER

KAT178303-XX

DESCRIPTION

Fixed Attenuator, N Male Plug to N Female Jack, Uni-Directional

CAGE CODE

664U0

SIGNATURE

X

Component

Body
 Center Contact
 Insulator
 Radiator

Material

Brass
 Bronze
 PTFE
 Aluminum

Plating/Finish

Nickel
 Silver
 Black

THIS DRAWING INCLUDING THE
 DESIGNS IS THE PROPERTY OF
 KONNECT RF AND IS NOT TO
 BE USED FOR ANY PURPOSE
 WITHOUT OUR APPROVAL.