

PART NUMBER

KAT178100

REV.

DATE

COMMENTS

INITIAL

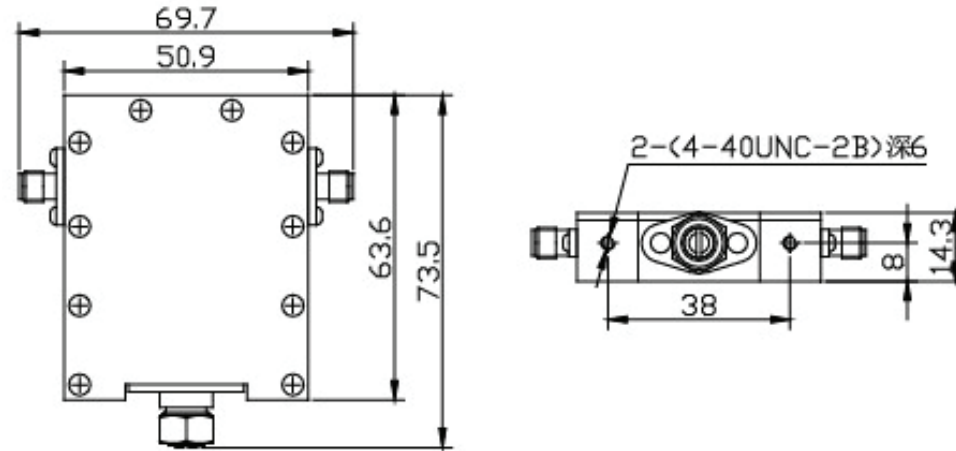
Electrical Data

Impedance	50 Ω
Frequency Range	2 - 4 GHz.
Insertion Loss	\leq 0.5 dB
Attenuation Range (dB)	0-20
VSWR	\leq 1.50:1
Average Power	5 Watts

Mechanical Data

Temperature Range: -55 °C - 85 °C

RoHS Compliant



Drawing not to scale. Dimensions for reference only

Units: mm

Konnect RFWWW.KONNECTRF.COM
1-800-790-5887

PART NUMBER

KAT178100

DESCRIPTION

Variable Attenuator, SMA Female Jack, 2-4 GHz, 5 Watts

CAGE CODE

664U0

SIGNATURE

X

THIS DRAWING INCLUDING THE
DESIGNS IS THE PROPERTY OF
KONNECT RF AND IS NOT TO
BE USED FOR ANY PURPOSE
WITHOUT OUR APPROVAL.

Component	Material	Plating
Body	Aluminum	
Connectors	Brass	Nickel
Female Pin	BeCu	Gold