

PART NUMBER

KAT178023-XX

REV.

DATE

COMMENTS

INITIAL

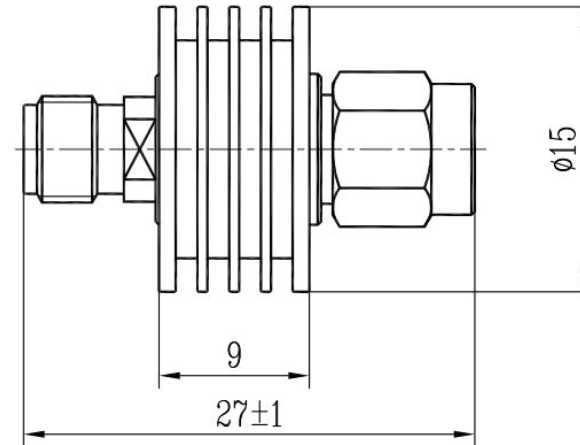
Electrical Data

Impedance	50 Ω		
Frequency Range	DC - 18 GHz		
VSWR	1.30 Max		
Power Rating	5 Watts @25°C derated linearly to 0 watts @ 125°C		
Peak Power	0.25kW (5 μ s pulse width, 1% duty cycle)		
Attenuation Range	1-10 dB	11-20 dB	21-30dB
Deviation	± 0.6 dB	± 0.8 dB	± 1.0 dB

Mechanical Data

Temperature Coefficient	<0.0004 dB/dB/°C
Temperature Range	-55 °C - 125 °C

RoHS Compliant



Drawing not to scale. Dimensions for reference only

Units: mm

Konnect RF

WWW.KONNECTRF.COM
1-800-790-5887

PART NUMBER

KAT178023-XX

DESCRIPTION

Fixed Attenuator, SMA Male/Female, Bi directional

CAGE CODE

664U0

SIGNATURE

X

THIS DRAWING INCLUDING THE DESIGNS IS THE PROPERTY OF KONNECT RF AND IS NOT TO BE USED FOR ANY PURPOSE WITHOUT OUR APPROVAL.

Component

Housing
Connector
Male Contact
Female Contact

Material

Stainless Steel
Brass
BeCu

Plating

Aluminum Blacken
Passivated
Gold
Gold