

PART NUMBER

KAT178022-XX

REV.

DATE

COMMENTS

INITIAL

RoHS Compliant

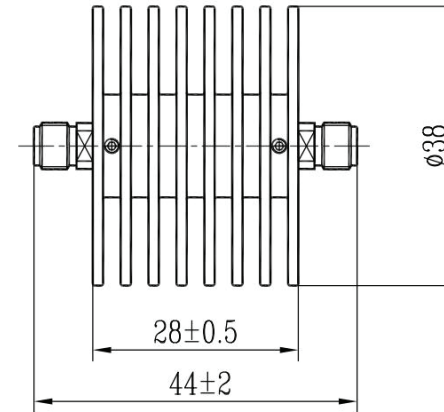
Electrical Data

Impedance 50 Ω
 Frequency Range DC - 18 GHz
 VSWR ≤ 1.40 Max
 Power Rating 20 Watts @ 25 °C derated linearly to 0 watts @ 125 °C
 Peak Power 1kW (5 μ s pulse width, 1% duty cycle)

| Attenuation Range | Deviation |
|-------------------|---------------|
| 1-10dB | ± 0.6 dB |
| 11-20dB | ± 0.8 dB |
| 21-30dB | ± 1.0 dB |
| 31-40dB | ± 1.20 dB |

Mechanical Data

Temperature Range -55 °C - 125 °C
 Temperature Coefficient <0.0004 dB/dB/ °C



Drawing not to scale. Dimensions for reference only

Units: mm

Konnect RF

WWW.KONNECTRF.COM
 1-800-790-5887

PART NUMBER

KAT178022-XX

DESCRIPTION

Fixed Attenuator, Uni-directional, SMA Female/Female

CAGE CODE

664U0

SIGNATURE

X

Component
 Housing
 Female Contact
 Connector

Material
 Aluminum
 BeCu
 Stainless Steel

Plating
 Blacken Anodize
 Gold
 Passivated

THIS DRAWING INCLUDING THE
 DESIGNS IS THE PROPERTY OF
 KONNECT RF AND IS NOT TO
 BE USED FOR ANY PURPOSE
 WITHOUT OUR APPROVAL.