

PART NUMBER

KAT177999-03

REV.

DATE

COMMENTS

INITIAL

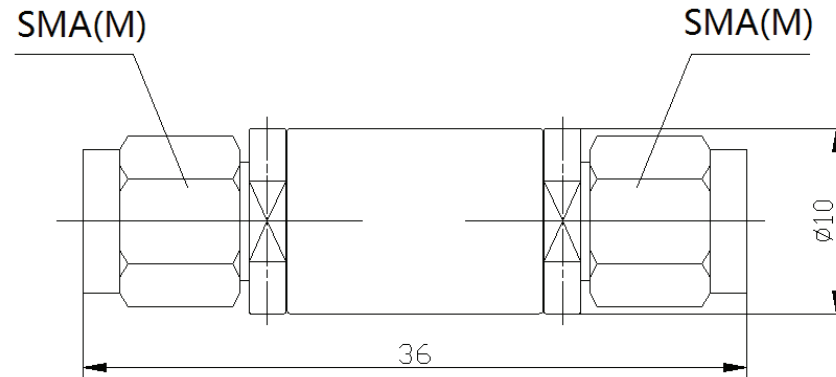
Electrical Data

Impedance 50 Ω
 Frequency Range DC-1GHz
 Attenuation Value & Accuracy
 3 \pm 0.5dB

Average Power 2W average to 25°C ambient temperature, derated linearly to 0.5W @ 125°C.
 Peak Power 0.5KW (5 μ s pulse width with 0.4% duty cycle)
 VSWR 1.20 Max

Mechanical Data

Temperature Range: -55 °C - 125 °C

RoHS Compliant

Drawing not to scale. Dimensions for reference only

Units: mm Tolerance \pm 5%**Konnect RF**

WWW.KONNECTRF.COM
 1-800-790-5887

PART NUMBER

KAT177999-03

DESCRIPTION

Fixed Attenuator, SMA Male/Male

CAGE CODE

664U0

SIGNATURE

X

THIS DRAWING INCLUDING THE
 DESIGNS IS THE PROPERTY OF
 KONNECT RF AND IS NOT TO
 BE USED FOR ANY PURPOSE
 WITHOUT OUR APPROVAL.

Component

Body
 Male Pin
 Female Pin
 Housing

Material

Brass
 Brass
 BeCu
 Aluminum Alloy

Plating

Nickel
 Gold
 Gold