

PART NUMBER

KAT177979-XX

REV.

DATE

COMMENTS

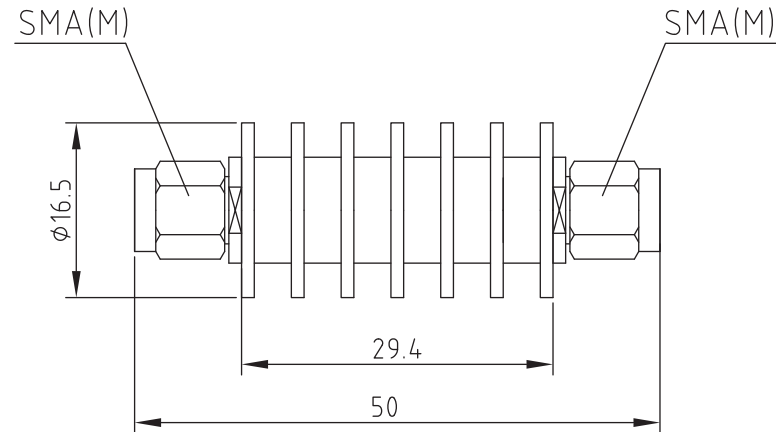
INITIAL

Electrical Data

Impedance 50 Ω
 Average Power: 10W average to 25°C ambient temperature, derated linearly to 1W @ 125°C.
 Peak Power : 0.5KW (5 μ s pulse width with 1% duty cycle)

RoHS Compliant**Mechanical Data**

Temperature Range: -55 °C - 125 °C



Model Number	Frequency Range(GHz)	Attenuation Value & Accuracy (dB)						Max VSWR
		3	6	10	20	30	40	
KAT177979-XX	DC-4	±0.4	±0.4	±0.4	±0.4	±0.4	±0.4	1.15

Drawing not to scale. Dimensions for reference only

Units: mm Tolerance \pm 5%

Note: XX refer to attenuation value in dB

Konnect RF

WWW.KONNECTRF.COM
 1-800-790-5887

PART NUMBER

KAT177979-XX

DESCRIPTION

Fixed Attenuator, SMA Male/Male

CAGE CODE

664U0

SIGNATURE

X

THIS DRAWING INCLUDING THE
 DESIGNS IS THE PROPERTY OF
 KONNECT RF AND IS NOT TO
 BE USED FOR ANY PURPOSE
 WITHOUT OUR APPROVAL.

Component

Body
 Female Pin
 Housing

Material

Brass
 BeCu
 Aluminum

Plating

Nickel
 Gold
 Black Anodize