

PART NUMBER

KAT177949-XX

REV.

DATE

COMMENTS

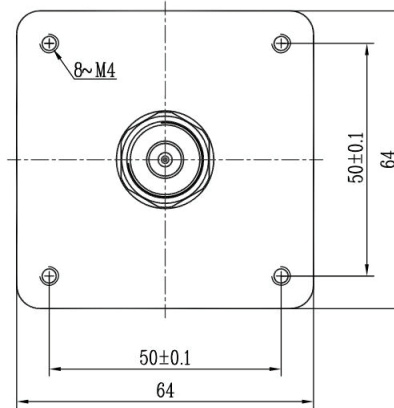
INITIAL

Electrical Data

Impedance	50 Ω
Power Rating	100 Watts @25 °C derated linearly to 0 watts @ 125 °C
Peak Power	5kW (5 μ s pulse width, 1% duty cycle)
Frequency Range	DC-6 GHz
Attenuation Range	3dB \pm \pm 0.9dB 6-10dB \pm 0.8dB 11-20dB \pm 0.8dB 21-30dB \pm 0.9dB 31-40dB \pm 0.9dB 50-60dB \pm 1.0dB
V.S.W.R	1.25 maximum

Mechanical Data

Temperature Range	-55 °C ~ +125 °C
Temperature Coefficient	<0.0004 dB/dB/°C

**RoHS Compliant**

Drawing not to scale. Dimensions for reference only

Units: mm

Konnect RF

WWW.KONNECTRF.COM
1-800-790-5887

PART NUMBER

kAT177949-XX

DESCRIPTION

Fixed Attenuator, N Male/Female, Uni-Directional

CAGE CODE

664U0

SIGNATURE

X

THIS DRAWING INCLUDING THE
DESIGNS IS THE PROPERTY OF
KONNECT RF AND IS NOT TO
BE USED FOR ANY PURPOSE
WITHOUT OUR APPROVAL.

Attenuation Value =XX

Component

Body
Heat Sink
Male Contact
Female Contact

Material

Brass
Blacken Anodized Aluminum
Brass
BeCu

Plating

White Bronze
Gold
Gold