

PART NUMBER

KAT177935

REV.

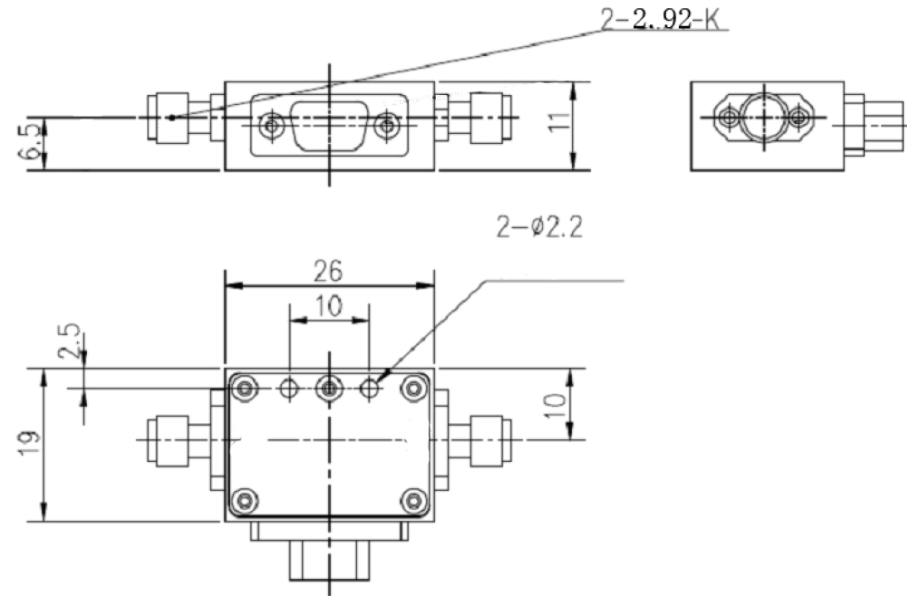
DATE

COMMENTS

INITIAL

RoHS Compliant

Description	Min	Typical	Max	Min	Typical	Max	Units
Frequency Range	0.5		18	18		40	GHz
Insertion Loss		6.5	7.5		7.5	8.5	dB
Attenuation Range		31			31		dB
Attenuation Accuracy	$\pm 1.5(\pm 0.3+5\%A)$		$\pm 2(\pm 0.3+5\%A)$				dB
Attenuation Step	1						
Input VSWR		1.7	2		1.7	2	
Output VSWR		1.7	2		1.7	2	
Switching Speed	<150						ns
Weight	15						g
Impedance	50						Ω
Bias Current(+5V/-5V)	<5						mA
Input / Output Connectors	2.92mm-Female						
Dimensions	26*19*11						mm



Drawing not to scale. Dimensions for reference only

Units: mm

Konnect RFWWW.KONNECTRF.COM
1-800-790-5887

PART NUMBER

KAT177935

DESCRIPTION

Digital Control Attenuator, 2.92 Female w/ TTL Positive Control

CAGE CODE

664U0

SIGNATURE

X

THIS DRAWING INCLUDING THE DESIGNS IS THE PROPERTY OF KONNECT RF AND IS NOT TO BE USED FOR ANY PURPOSE WITHOUT OUR APPROVAL.