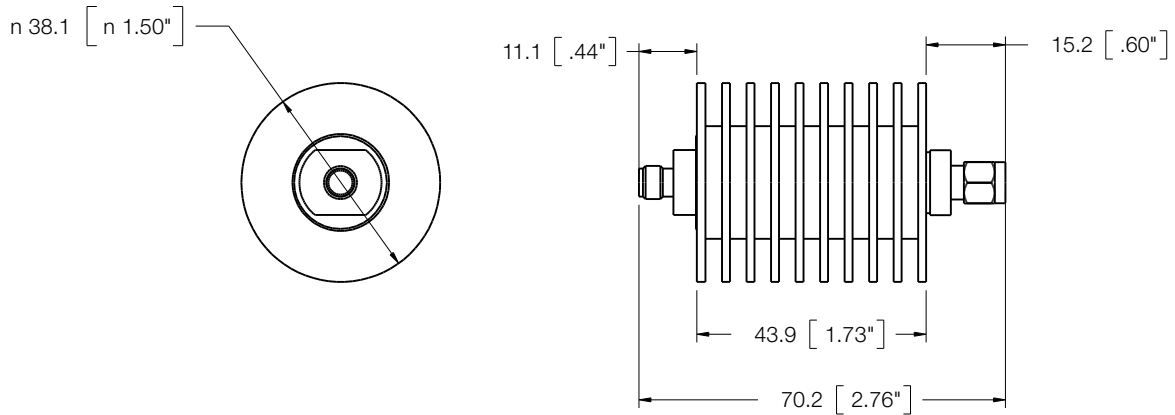


Fixed Attenuator, 25.0W, 4.0 GHz, SMA



Designed to comply with MIL-DTL-3933

Dimensions & Weight: 0.15 kg; Length: 44.50 mm; Diameter: 38.1 mm

Connection & Mounting: SMA stainless steel M/F connectors per MIL-STD348A, interface dimensions mate non-destructively with MIL-PRF-38949

Construction: Black aluminum alloy body with passivated stainless steel connectors. Gold plated beryllium copper or Stainless Steel contacts. RoHs Compliant

Calibration: Insertion Loss and VSWR performed across frequency range. Calibration test data available at additional cost.

Options: Low Intermodulation

Power: Medium Power (20W - 100W)

Average Power Description: Maximum rated average power to 25°C ambient temperature, de-rated linearly to 2.5 W at 125°C.

Average Power: 251

Peak Power: 5 kW peak (5 µsec pulse width, 0.25% duty cycle)

Power Coefficient: <0.005 dB/dB/W

Directionality: Bidirectional

Frequency Range: dc to 4.0

Attenuation Range: 1 to 40

Attenuation Accuracy:

Attenuation Range	1 to 2 dB	3 to 20 dB	21 to 30 dB	40 dB
Attenuation Accuracy (+/- dB)	0.40	0.30	0.60	1.0

Nominal Impedance: 50

Temperature Range: -55°C to +125°C

Temperature Coefficient: <0.0004 dB/dB/C

VSWR: 1.20