

PART NUMBER

KAT177913

REV.

DATE

COMMENTS

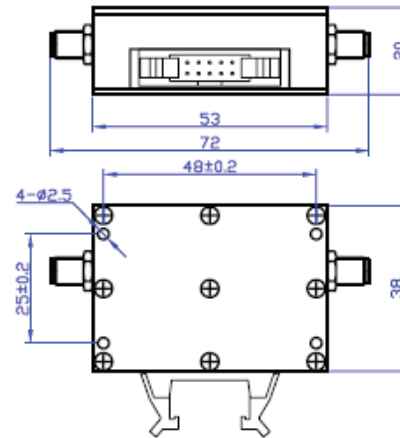
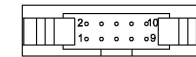
INITIAL

Electrical Data

Impedance	50 Ω
Frequency Range	0.2-6.0 GHz.
Switch Time	2us
Input Power	30dBm
Attenuation Value	63.5/0.5
Attenuation Step	0.5
	1
	2
	4
	8
	16
	32
Attenuation Accuracy(dB)	$\pm(0.1+5\%) \leq 0.8\text{GHz}$
	$\pm(0.3+3\%) > 0.8\text{GHz}$
VSWR	≤ 1.8
Insertion Loss	9.5dB

Mechanical Data

Temperature Range: -55 °C - 125 °C

**RoHS Compliant**

Operation Voltage	
Vdd	+3 to +5 V

Controlled Voltage	
Low	0 to +0.8 V
High	+3 to +5 V

1	2	3	4	5	6	7	8	9	10
0.5dB	1dB	2dB	4dB	8dB	16dB	32dB	NO	Vdd	GND

Solid State Programmable
Attenuator Control Method

Drawing not to scale. Dimensions for reference only

Units:mm Tolerance 2%

Konnect RFWWW.KONNECTRF.COM
1-800-790-5887

PART NUMBER

KAT177913

DESCRIPTION

Programmable Solid State Attenuator , SMA Female w/ TTL Control

CAGE CODE

664U0

SIGNATURE

X

THIS DRAWING INCLUDING THE
DESIGNS IS THE PROPERTY OF
KONNECT RF AND IS NOT TO
BE USED FOR ANY PURPOSE
WITHOUT OUR APPROVAL.**Component**Body
Female Pin
Housing**Material**Brass
BeCu
Aluminum, Anodic Oxidation**Plating**Nickel
Gold