

PART NUMBER

**KAT177903**

REV.

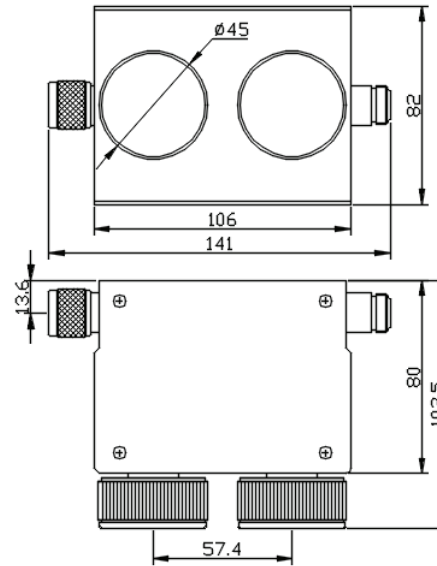
DATE

COMMENTS

INITIAL

**Electrical Data**

Impedance	50 $\Omega$
Average Power	10W
Peak Power	100W (5 $\mu$ s pulse width 2% duty cycle)
Frequency Range	DC - 8 GHz.
Attenuation Step Size	0-69 in 1 dB steps
Insertion Loss	$\leq$ 1.25 dB
Attenuation Accuracy	$\pm$ 0.5dB (0-9dB) $\pm$ 1.0dB (10-19dB) $\pm$ 1.5dB (20-49dB) $\pm$ 2.0dB (50-70dB)

**Mechanical Data**Temperature Range: -20  $^{\circ}$ C - 85  $^{\circ}$ C**RoHS Compliant**

Drawing not to scale. Dimensions for reference only

Units: mm

\*Drawing shows N M/F part number KAT177903, supplied w/ N F/F

**Konnect RF**WWW.KONNECTRF.COM  
1-800-790-5887

PART NUMBER

**KAT177903**

DESCRIPTION

**Rotary Step Attenuator, N Female**

CAGE CODE

**664U0**

SIGNATURE

X

THIS DRAWING INCLUDING THE  
DESIGNS IS THE PROPERTY OF  
KONNECT RF AND IS NOT TO  
BE USED FOR ANY PURPOSE  
WITHOUT OUR APPROVAL.**Component**Connector Body  
Center Contact**Material**Stainless Steel  
BeCu**Plating/Finish**Passivated  
Gold