

PART NUMBER

KAT177882-XX

REV.

DATE

COMMENTS

INITIAL

RoHS Compliant

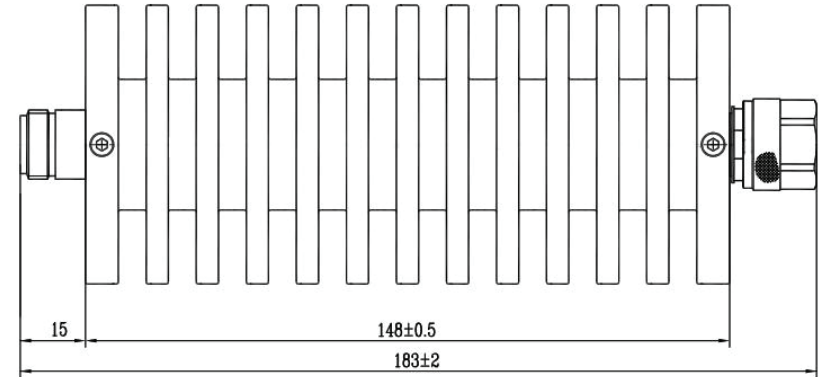
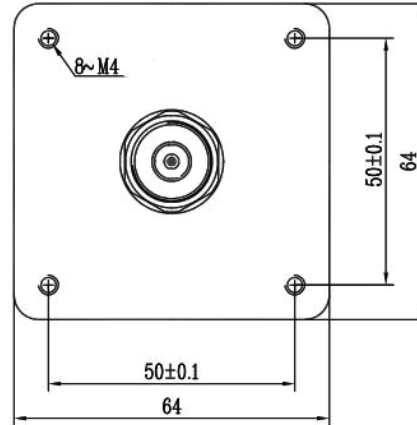
Electrical Data

Impedance 50 Ω
 Frequency Range DC - 4 GHz.
 Power Rating 150W @25°C derated linearly to 0 watts @ 125°C
 VSWR 1.20

Mechanical Data

Temperature Range: -55 °C - 125 °C

Attenuation Range	30dB
Attenuation Accuracy	± 0.8 dB



Drawing not to scale. Dimensions for reference only

Units: mm

Konnect RF

WWW.KONNECTRF.COM
 1-800-790-5887

PART NUMBER

KAT177882-XX

DESCRIPTION

Fixed Attenuator, N Male/Female

CAGE CODE

664U0

SIGNATURE

X

THIS DRAWING INCLUDING THE
 DESIGNS IS THE PROPERTY OF
 KONNECT RF AND IS NOT TO
 BE USED FOR ANY PURPOSE
 WITHOUT OUR APPROVAL.

Component
 Body
 Heat Sink

Material
 Brass

Plating/Finish
 White Bronze
 Black Anodized Aluminum