

PART NUMBER

**KAT177876-10**

REV.

DATE

COMMENTS

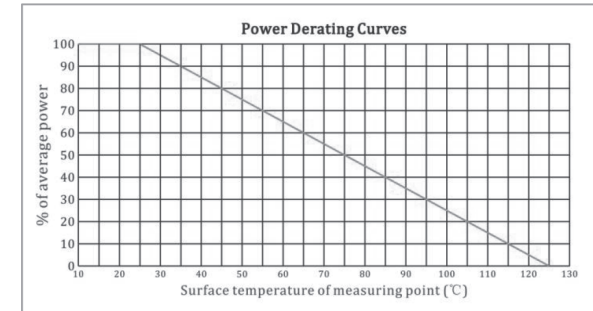
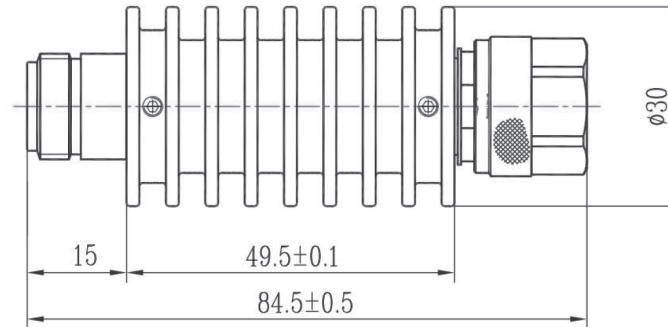
INITIAL

**Electrical Data**

Impedance 50  $\Omega$   
 Frequency Range DC - 0.5 GHz.  
 Power Rating 10W @ 25°C  
 Attenuation Range 10 dB  
 Accuracy +/- 0.4 dB  
 VSWR 1.20

**Mechanical Data**

Temperature Range: -55 °C - 125 °C

**RoHS Compliant**

Drawing not to scale. Dimensions for reference only

Units: mm

**Konnect RF**

WWW.KONNECTRF.COM  
 1-800-790-5887

PART NUMBER

**KAT177876-10**

DESCRIPTION

**Fixed Attenuator, N Male/Female**

CAGE CODE

**664U0**

SIGNATURE

X

THIS DRAWING INCLUDING THE  
 DESIGNS IS THE PROPERTY OF  
 KONNECT RF AND IS NOT TO  
 BE USED FOR ANY PURPOSE  
 WITHOUT OUR APPROVAL.